



Gas hob NGU41.1LT- NGU41.1DT- NGU41.5LT- NGU41.5DT
Газ плитасының әзірлеу беті NGU41.1LT- NGU41.1DT-
NGU41.5LT- NGU41.5DT
Газовая варочная панель NGU41.1LT- NGU41.1DT- NGU41.5LT-
NGU41.5DT



BOSCH

[en] Instruction manual3
[kk] Пайдалану нұсқаулығы12

[ru] Правила пользования21

en Table of contents

| | | | |
|---|---|---|----|
| Safety precautions | 3 | Cleaning and maintenance | 9 |
| Causes of damage | 5 | Cleaning | 9 |
| Your new cooker | 5 | Maintenance | 10 |
| General information | 5 | Trouble shooting | 10 |
| Cooking area | 6 | After-sales service | 11 |
| Rotary knob for the gas burner | 6 | E number and FD number | 11 |
| Pan rest for the economy burner (option):..... | 6 | Packaging and equipment used | 11 |
| Before first use | 7 | Environmentally-friendly disposal..... | 11 |
| Cleaning the accessories | 7 | Measures to be noted during transport | 11 |
| Advance cleaning of burner cup and cap | 7 | | |
| Making settings on the hob | 7 | | |
| Lighting the gas burner | 7 | | |
| Warnings | 7 | | |
| Cookware and cooking recommendations | 8 | | |
| Suitable pans..... | 8 | | |
| Table - Cooking | 8 | | |

Additional information on products, accessories, replacement parts and services can be found at www.bosch-home.com and in the online shop www.bosch-eshop.com

Safety precautions

Please read this manual carefully. Please keep the instruction and installation manual as well as the appliance certificate in a safe place for later use or for subsequent owners.

The manufacturer is exempt from all responsibility if the requirements of this manual are not complied with.

This appliance is class 3 type, according to the EN 30-1-1 regulation for gas appliances: built-in appliance.

Appliance's type of approval: HI4BH

The graphics in this instruction manual are given as a guide only.

Do not remove the appliance from its protective packaging until it is installed in the unit.

Check the appliance for damage after unpacking it. Do not connect the appliance if it has been damaged in transport.

Caution:The use of a gas cooking appliance results in the production of heat, moisture and products of combustion in the room in which it is installed. Ensure that the kitchen is well ventilated especially when the appliance is in use: keep natural ventilation holes open or install a mechanical ventilation device (mechanical extractor hood).

Prolonged intensive use of the appliance may call for additional ventilation, for example opening of a window, or more effective ventilation, for example increasing the level of mechanical ventilation where present.

This appliance can only be installed in a well-ventilated place in accordance with existing regulations and ventilation specifications. The appliance must not be connected to a combustion product removal device.

The place in which the appliance is installed must have fully-functioning ventilation, in accordance with the regulations.

This appliance must be installed according to the installation instructions included.

Only allow a licensed professional to connect the appliance and to convert the appliance to a different type of gas. The appliance must be installed (electric and gas connections) in accordance with the instruction and installation manual. An incorrect connection or incorrect settings may lead to serious accidents and damage to the appliance. The appliance manufacturer accepts no liability for damage of this kind. The appliance's warranty becomes void.

This appliance has been designed for home use only, not for commercial or professional use. This appliance cannot be installed on yachts or in caravans. The warranty will only be valid if the appliance is used for the purpose for which it was designed.

This appliance is intended for domestic use and the household environment only. This appliance must only be used to prepare food and drinks and must never be used as a heater. Do not leave the appliance unattended during operation. Only use the appliance indoors.

This appliance is not intended for operation with an external clock timer or a remote control.

Never leave the appliance unattended during operation.

This appliance may be used by children 8 years old and older and by persons with reduced physical, sensory or mental capacity or a lack of experience or knowledge if they are supervised or they have been instructed about the safe use of the appliance and have understood the associated dangers.

Never let children play with the appliance. Cleaning and user maintenance must not be carried out by unsupervised children.

Risk of deflagration!

- Accumulation of unburned gas in an enclosed area carries a risk of deflagration. Do not subject the appliance to draughts. These might blow out the burners. Carefully read the instructions and warnings on the operation of gas burners.
- Hot oil and fat can ignite very quickly. Never leave hot fat or oil unattended. Never use water to put out burning oil or fat. Switch off the hotplate. Extinguish flames carefully using a lid, fire blanket or something similar.
- When gas hotplates are in operation without any cookware placed on them, they can build up a lot of heat. The appliance and the extractor hood above it may become damaged or be set on fire. Grease residue in the filter of the extractor hood may ignite. Only operate the gas burners with cookware on them.
- The hotplates become very hot. Never place combustible items on the hob. Never place objects on the hob.
- The appliance becomes very hot, and flammable materials can easily catch fire. Do not store or use any flammable objects (e.g. aerosol cans, cleaning agents) under or in the vicinity of the oven. Do not store any flammable objects inside or on top of the oven.
- The rear of the appliance becomes very hot. This may cause damage to the power cables. Electricity and gas lines must not

come into contact with the rear of the appliance.

Risk of burns!

- The hotplates and surrounding area (particularly the hob surround, if fitted) become very hot. Never touch the hot surfaces. Keep children at a safe distance.
- During operation, the surfaces of the appliance become hot. Do not touch the surfaces when they are hot. Keep children away from the appliance.
- The alcoholic vapours may catch fire on the hot cooking surface. Never prepare food containing large quantities of drinks with a high alcohol content. Only use low percentage alcohol.
- Empty cookware becomes extremely hot when set on a gas hotplate that is in operation. Never heat up empty cookware.
- Metal objects on the hob quickly become very hot. Never place metal objects (such as knives, forks, spoons and lids) on the hob.
- If the liquefied gas bottle is not upright, liquefied propane/butane can enter the appliance. Intense darting flames may therefore escape from the burners. Components may become damaged and start to leak over time so that gas escapes uncontrollably. Both can cause burns. Always use liquefied gas bottles in an upright position.
- The appliance becomes hot during operation. Allow the appliance to cool down before cleaning.

Risk of injury!

- Incorrect repairs are dangerous. Repairs may only be carried out, and damaged power and gas lines replaced, by an after-sales engineer trained by us. If the appliance is faulty, unplug the mains plug or switch off the fuse in the fuse box. Shut off the gas supply. Contact the after-sales service.
- Faults or damage to the appliance are dangerous. Never switch on a faulty appliance. Unplug the appliance from the mains or switch off the circuit breaker in the fuse box. Shut off the gas supply. Contact the after-sales service.
- Unsuitable pan sizes, damaged or incorrectly positioned pans can cause serious injury. Observe the instructions which accompany the cookware.

Risk of electric shock!

- Incorrect repairs are dangerous. Repairs may only be carried out by one of our trained after-sales engineers. If the appliance is faulty, unplug the mains plug or switch off the fuse in the fuse box. Contact the after-sales service.
- The cable insulation on electrical appliances may melt when touching hot parts of the appliance. Never bring electrical appliance cables into contact with hot parts of the appliance.
- Do not use any high-pressure cleaners or steam cleaners, which can result in an electric shock.
- A defective appliance may cause electric shock. Never switch on a defective

appliance. Unplug the appliance from the mains or switch off the circuit breaker in the fuse box. Contact the after-sales service.

Do not subject the appliance to draughts. These might blow out the burners.

Do not tamper with the appliance's interior. If necessary, call our Technical Assistance Service.

If one of the control knobs will not turn, do not force it. Call the Technical Assistance Service immediately, so that they can repair or replace it.

Causes of damage

Hob

Caution!

Only use the burners when cookware has been placed on top. Do not heat up empty pots or pans. The saucepan base will be damaged.

Caution!

Only use pots and pans with an even base.

Caution!

Place the pot or pan centrally over the burner. This will optimise transfer of the heat from the burner flame to the pot or pan base. The handle does not become damaged, and greater energy savings are guaranteed.

Caution!

Ensure that the hob gas burners are clean and dry at all times. The burner cup and burner cap must be positioned exactly.

** **Option:** Only valid for some models.

Caution!

Ensure that the top cover is not closed when the oven is started up.

Caution!

If you are using the appliance with a gas cylinder, the cylinder must be stood upright. Using the gas cylinder horizontally can damage your appliance's interior components and cause a gas leak.

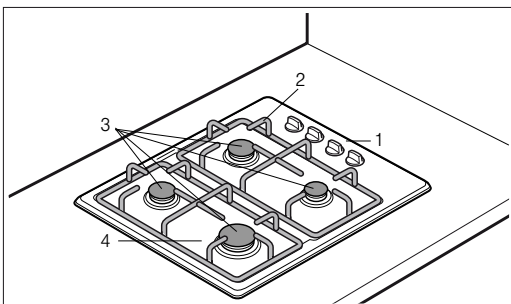
Your new cooker

Here you will learn about your new cooker. We will explain the control panel, the hob and the individual operating controls. You

will find information on the cooking compartment and the accessories.

General information

The design depends on the respective appliance model.



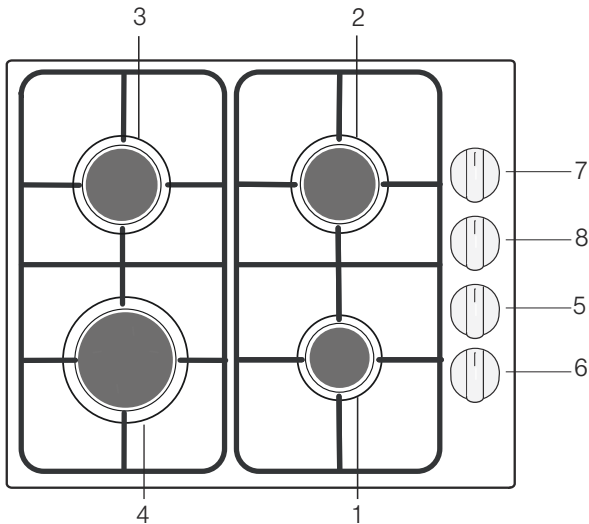
Explanations

| | |
|---|---------------------------|
| 1 | Control panel |
| 2 | Steel grids |
| 3 | Burner/electric hotplate* |
| 4 | Hob |

* Option

Cooking area

Here is an overview of the control panel. The design depends on the respective appliance model.

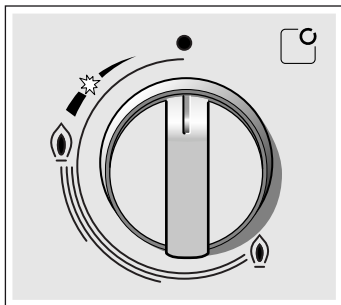


Explanations

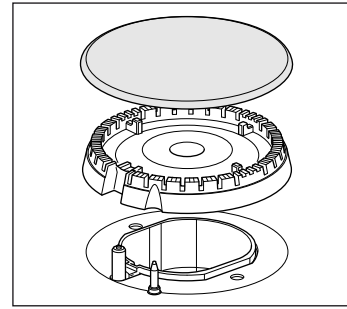
| | |
|---|--|
| 1 | Economy burner |
| 2 | Standard burner |
| 3 | Standard burner |
| 4 | High output burner |
| 5 | Rotary knob for the economy burner |
| 6 | Rotary knob for the standard burner |
| 7 | Rotary knob for the standard burner |
| 8 | Rotary knob for the high-output burner |

Rotary knob for the gas burner

There are indications to show which burner each control knob operates.



It is essential to ensure that all the burner parts and pan supports are correctly installed for the appliance to work correctly. Do not swap the burner caps around.



| Hob | Power |
|--------------------|---------|
| Economy burner | 1 kW |
| Standard burner | 1,75 kW |
| High output burner | 3 kW |

Rotary knob for the hotplate

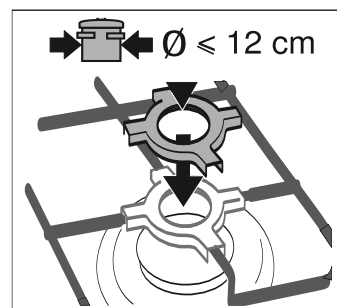
You can adjust the heat setting of the hotplates using the hotplate rotary knobs.

| Settings | Function/gas oven |
|---------------------|---|
| ● Zero position | Cooker switched off. |
| ⚡ Ignition position | Ignition position |
| 🔥 Settings area | Large flame = highest setting Economy flame = lowest setting |

There is a limit stop at the end of the settings area. Do not turn the timer beyond this.

Pan rest for the economy burner (option):

Use the pan rest supplied with the appliance when you use the economy burner to prepare dishes using small saucepans with a diameter of less than 12 cm or Turkish coffee using a small espresso jug.



Place the pan rest on the economy burner's steel grid.

Do not use the pan rest for saucepans with a diameter of more than 12 cm.

The pan rest must only be used on the economy burner.

Before first use

The things you should note before first use are detailed below. First read the Safety Precautions section .

Cleaning the accessories

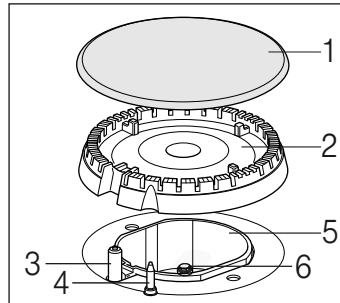
Before you use the accessories for the first time, clean them thoroughly with hot soapy water and a soft dish cloth.

Advance cleaning of burner cup and cap

Clean the burner cap (1) and burner cup (2) with water and washing-up liquid. Dry the individual parts carefully.

Place the burner cup and cap back on the burner shell (5). Ensure that the igniter (3) and flame safety pin (4) are not damaged.

The nozzle (6) must be dry and clean. Always position the burner cap exactly over the burner cup.

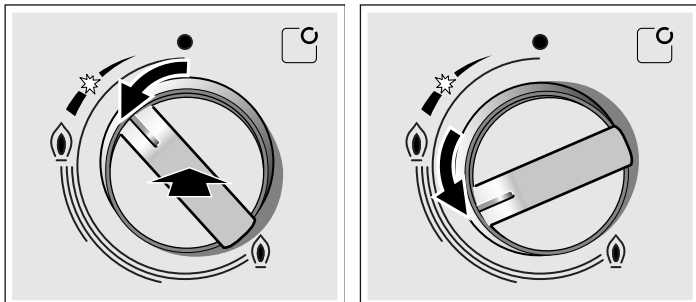




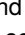

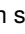
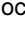
Making settings on the hob

Your hob is equipped with four gas burners. The following information explains how to light the gas burners and set the size of flame.

Lighting the gas burner


Always position the burner cap exactly over the burner cup. Openings on the burner cup must always be unobstructed. All parts must be dry.



1. Turn the rotary knob for the desired burner anti-clockwise to the ignition position . Ignition begins.
2. Press and hold the rotary knob for approximately 3-5 seconds. The gas burner ignites.
The safety ignition is activated. If the gas flame goes out, the gas supply is automatically interrupted by the safety ignition system.
3. Set the desired flame size. Between setting  Off and setting , the flame is not stable. Therefore, always choose a setting between  large and  small flame.
4. If the flame goes out again, repeat the process from step 1.
5. To switch off the hotplate: Turn the rotary knob  clockwise to the Off position.

The ignition device should not be actuated for more than 15 seconds. If the burner does not light within 15 seconds, wait for at least one minute. Then repeat the ignition process.

Caution:!

If you turn the rotary knob straight after switching the cooker off, gas will escape. If you do not turn the knob to the ignition position , the gas supply will be interrupted after 90 seconds.

No ignition occurs

If there is a power cut or if the ignition plugs are damp, you can light the gas burners with a gas lighter or a match.

Warnings

It is normal to hear a soft whistling noise while the burner is operating.

When first used, it is normal for the burner to give off odours. This does not pose any risk and does not indicate a malfunction. They will disappear in time.

An orange-coloured flame is normal. This is caused by the presence of dust in the atmosphere, spilt liquids, etc.

If the burner flames are accidentally blown out, switch off the burner operating control knob and do not try to relight it for at least 1 minute.

A few seconds after the burner is switched off, a sound (thud) will be produced. This is not a fault - this means that the safety device is no longer operating.

Keep the burner as clean as possible. If the ignition sparkers are dirty they will not light properly. Clean them periodically using a small non-wire brush. Bear in mind that the ignition sparkers must not suffer any serious impacts.

Cookware and cooking recommendations

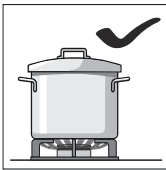
Suitable pans

| Burner/electric hot-plate** | Minimum saucepan diameter | Maximum saucepan diameter |
|-----------------------------|---------------------------|---------------------------|
| Electric hotplate* | 14.5 cm | 14.5 cm |
| High output burner | 24 cm | 28 cm |
| Standard burner | 18 cm | 24 cm |
| Economy burner | 12 cm | 18 cm |

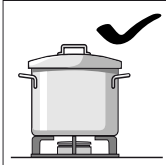
* Option (for models with an electric hotplate)

Precautions for use

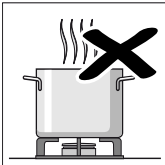
The following advice is intended to help you save energy and prevent pan damage:



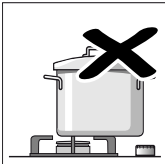
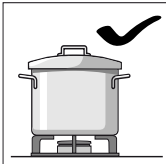
Use pans which are the right size for each burner.
Do not use small pans on large burners. The flame must not touch the sides of the pan.



Do not use damaged pans, which do not sit evenly on the hob. Pans may tip over.
Only use pans with a thick, flat base.

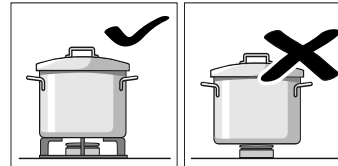


Do not cook without using a lid and make sure the lid is properly fitted. This wastes energy.



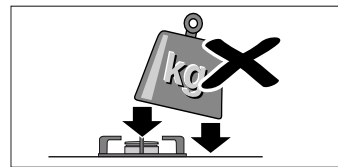
Always centre the pan over the burner, not to one side. Otherwise it could tip over.

Do not place large pans on the burners near the control knobs. These may be damaged by the very high temperatures.



Place the pans on the pan supports, never directly on the burner.

Make sure that the pan supports and burner caps are correctly positioned before using the appliance.



Pans should be placed on the hob carefully.

Do not strike the hob and do not place excessive weight on it.

Table - Cooking

Select the right saucepan size for each burner. The diameter of the pot or pan base should be the same as that of the burner.

Cooking times depend on the type, weight and quality of the food. Deviations are therefore possible. You yourself can best judge the optimal cooking time.

Minerals and vitamins are very quickly destroyed during cooking. Therefore, only use a little water. This will help you retain vitamins and minerals. Select short cooking times so that the vegetables remain firm and full of nutrients.

| Example | Dish | Burner | Heat setting |
|---------------------------------|---|---|------------------------------------|
| Melting | Chocolate, butter, margarine | Economy burner | small flame |
| Heating | Stock, tinned vegetables | Standard burner Electric hotplate** | small flame 1 |
| Heating and keeping warm | Soups | Economy burner Electric hotplate** | small flame 1 |
| Braising* | Fish | Standard burner Electric hotplate** | between large and small flame 2 |
| Braising* | Potatoes and miscellaneous vegetables, meat | Standard burner Electric hotplate** | between large and small flame 2 |
| Cooking* | Rice, vegetables, meat dishes (with sauces) | Standard burner Electric hotplate** | Large flame 2-3 |
| Roasting | Pancakes, potatoes, schnitzel, fish fingers | High output burner Electric hotplate** | between large and small flame 3 |

* If you are using a saucepan with a cover, turn the flame down as soon as it reaches boiling point.

** Option: For models with an electric hotplate

Cleaning and maintenance

For the cooking area to have optimum power and a long service life, thorough cleaning and maintenance are essential.

As a safety precaution, turn the gas off at the gas cylinder controller. (If the cooker is set up to use natural gas, close the natural gas tap).

Unplug the appliance from the mains.

If the burner is still hot, let it cool down first.

Caution!

- Do not use any high-pressure cleaners or steam jets.
- When cleaning the cooker, do not use any flammable substances such as acids, diluting agents, petrol or benzene.
- Under no circumstance should abrasive cleaning products or materials be used, which may cause scratches.

Cleaning

Damage to the various different surfaces caused by using the wrong cleaning agent can be avoided by observing the following instructions.

When cleaning the hob do not use

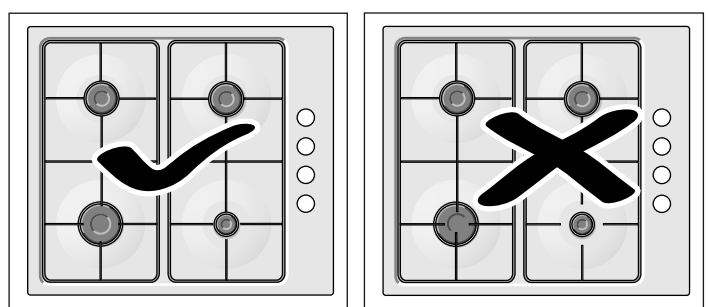
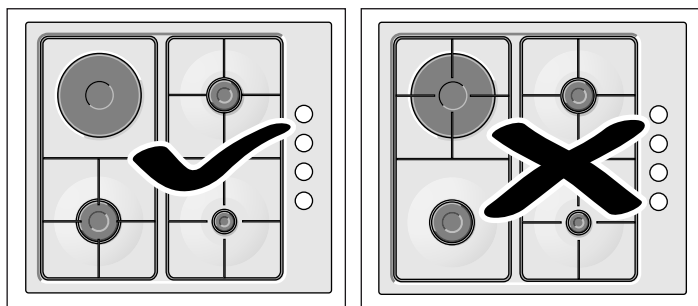
- undiluted washing-up liquid or dishwasher detergent,
- cleaning agent with a high alcohol content,
- scouring pads,
- abrasive cleaning agents such as oven cleaner or stain remover,
- Do not use caustic or abrasive cleaning agents.
- Do not clean individual parts in the dishwasher.

Wash new sponges thoroughly before first use.

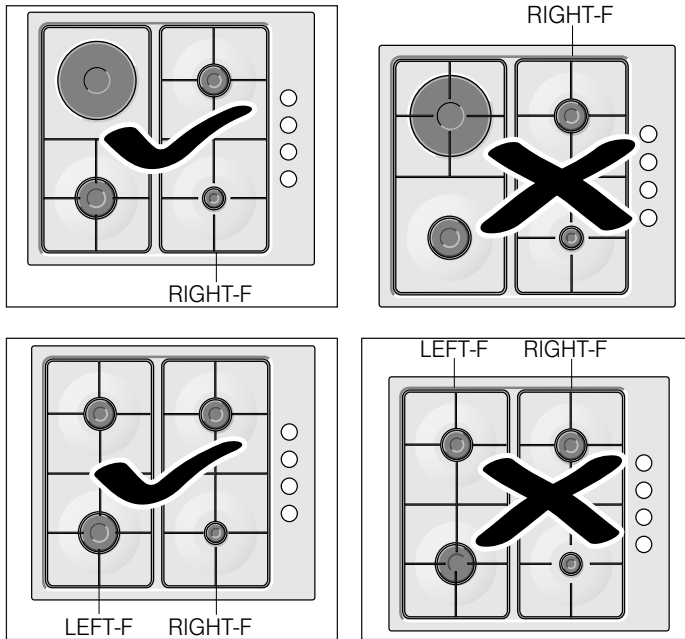
| | |
|---|---|
| Stainless steel fronts | Clean with stainless steel cleaner and a soft cloth. Always wipe parallel to the natural grain. Otherwise, you may scratch the surface. Dry with a soft cloth. Always remove any flecks of limescale, grease, starch and egg white immediately. Harsh cleaning products, scouring sponges and rough cleaning cloths are not suitable. The stainless steel fronts can be polished using a special care product. Follow the manufacturer's instructions. You can purchase special stainless steel cleaner from our after-sales service or from specialist retailers. |
| Enamel surfaces and lacquered surfaces | Clean with some washing-up liquid and a damp cloth. Dry with a soft cloth. |
| Gas burners and steel grids of the gas hob | Do not clean in the dishwasher. Remove the steel grids and clean them with a sponge, washing-up liquid and some hot water. Remove the burner cup and lid. Clean with a sponge and some hot water and washing-up liquid. Ensure that the gas openings in the burner cups are clean and free from dirt particles. The igniters must be cleaned with a soft brush. The gas burners only work properly when the igniters are clean. Remove food residue from the burner shells with a cloth and some hot soapy water. Only use a little water. Water must not be allowed to enter the appliance. Ensure that the nozzle opening does not become blocked or damaged during cleaning. Dry all parts after cleaning and place the burner cover accurately on the burner cup. Burner ignition may be hampered by individual parts that do not sit correctly. Attach the steel grids again. You can purchase the recommended special cleaner for cleaning the steel grids from our after-sales service or from specialist retailers. |
| Electric hob (option) | Clean with the hard side of a scouring sponge and some liquid scouring agent. After cleaning, switch the hob on briefly to dry it. Wet hobs rust over time. Then apply a care product. Always remove spilt liquids and food residues immediately. |
| Metal ring of the electric hob (option) | The metal ring may discolour over time. However, it is possible to restore the original colour. Clean the ring with the hard side of a scouring sponge and some liquid scouring agent. When doing so, make sure that you do not scour the adjacent surfaces, as this could damage them. You can purchase the recommended special cleaner for cleaning the metal ring on the electric hotplate from our after-sales service or from specialist retailers. |
| Rotary knobs | Clean with some washing-up liquid and a damp cloth. Dry with a soft cloth. |
| Accessories | Soak in hot soapy water. Clean with a non-metallic brush or a sponge. |

If the pan supports are fitted with rubber rests, ensure that these are also cleaned. The rests may come loose and the pan support may scratch the hob.

After cleaning and drying the steel grids, ensure that they are correctly fitted.



**** Option:** Only valid for some models.



After each use, clean the surface of the respective burner parts once they have cooled down. If any residue is left (baked-on food, drops of grease etc.), however little, it will become stuck to the surface and more difficult to remove later. The holes and grooves must be clean for the flame to ignite properly.

The movement of some pans may leave metal residue on the pan supports.

Clean the burners and pan supports using soapy water and scrub with a non-wire brush.

Do not clean individual parts of the appliance in the dishwasher.

Always dry the burners and pan supports completely. Water droplets or damp patches on the hob at the start of cooking may damage the enamel.

Caution!

The stainless steel cleaner must not be used in the area around the controls. The (printed) symbols may be wiped off.

Thoroughly remove spilt cooking oil and acidic foodstuffs such as lemon immediately.

Under no circumstance should abrasive cleaning powder be used to clean the control panel. The inscriptions can be scratched off as a result.

The burner caps are coated with black enamel. Due to the high temperatures, discolouration may occur. Their burner function is not adversely affected by this.

Maintenance

Always clean off any liquid as soon as it is spilt. This will prevent food remains from sticking to the hob surface and you will save yourself any unnecessary effort.

Trouble shooting

Sometimes certain faults detected can be easily resolved. Before calling the Technical Assistance Service, bear in mind the following advice:

| Fault | Possible cause | Solution |
|---|---|--|
| The general electrical system is malfunctioning. | Defective fuse. | Check the fuse in the main fuse box and change it if it is damaged. |
| | The automatic safety switch or circuit breaker has tripped. | Check the main control panel to see if the automatic safety switch or circuit breaker has tripped. |
| The automatic switching on function does not work. | There may be food or cleaning products stuck between the ignition sparkers and the burners. | The space between the ignition sparker and the burner must be clean. |
| | The burners are wet. | Dry the burner caps carefully. |
| | The burner caps are not correctly positioned. | Check that the burner caps are correctly positioned. |
| | The appliance is not earthed, is poorly connected or the earthing is faulty. | Contact the installation technician. |
| The burner flame is not uniform. | The burner components are not correctly positioned. | Correctly place the parts on the appropriate burner. |
| | The grooves on the burner are dirty. | Clean the grooves on the burner. |
| The gas flow is not normal or there is no gas. | The gas supply is blocked by gas taps. | Open all gas taps. |
| | If the gas is supplied from a gas cylinder, check that it is not empty. | Change the gas cylinder. |
| The kitchen smells of gas. | A gas tap has been left on. | Turn off the taps. |
| | Incorrect coupling of gas cylinder. | Check that the coupling is sound. |
| | Possible gas leak. | Shut off the gas supply, ventilate the premises and immediately notify an authorised installation technician to check and certify the installation. Do not use the appliance until ensuring that there is no gas leak in the installation or appliance itself. |
| The burner immediately switches off after releasing the control knob. | The control knob was not held down for long enough. | Once the burner is on, hold the control knob down a few seconds longer. |
| | The grooves on the burner are dirty. | Clean the grooves on the burner. |

After-sales service

Our after-sales service is there for you if your appliance needs to be repaired. We will always find the right solution in order to avoid unnecessary visits from a service technician.

E number and FD number

To help speed up the process, please have your product number (E no.) and production number (FD no.) ready when you contact after-sales service. The nameplate containing these numbers is found on the underside of your cooker. To save time in the event of a fault, you can make a note of the numbers for your appliance and the after-sales service telephone number in the space below.

| E no. | FD no. |
|-------|--------|
| | |

After-sales service

Note that, even within the guarantee period, you are responsible for service and repair costs in the case of improper use or misuse. Please find the contact data of all countries in the enclosed customer service list.

To book an engineer visit and product advice

- GB** 0844 8928979
Calls from a BT landline will be charged at up to 3 pence per minute. A call set-up fee of up to 6 pence may apply.
- IE** 01450 2655
0.03 € per minute at peak. Off peak 0.0088 € per minute.

Trust the expertise of the manufacturer, and rest assured that the repair will be carried out by trained service technicians using original spare parts for your domestic appliance.


Warranty conditions

In the unlikely event that the appliance is damaged or does not meet your expectations in terms of quality, please inform us as soon as possible. For the warranty to be valid, the appliance must not have been tampered with, or used inappropriately.

The applicable warranty conditions are those set out by the company's representative office in the country of purchase. Detailed information is available from retail outlets. Proof of purchase must be presented to obtain the benefits of the warranty.

We reserve the right to introduce changes.

Packaging and equipment used

If your appliance has a crossed-out dustbin symbol , please note the following.

Environmentally-friendly disposal

Dispose of packaging in an environmentally-friendly manner.



This appliance is labelled in accordance with European Directive 2012/19/EU concerning used electrical and electronic appliances (waste electrical and electronic equipment - WEEE). The guideline determines the framework for the return and recycling of used appliances as applicable throughout the EU.

The packaging of your appliance has been manufactured using only the materials which are strictly necessary to guarantee efficient protection during transport. These materials are 100% recyclable, thus reducing the environmental impact. You can also contribute to caring for the environment by following the advice below:

- Dispose of the packaging in the appropriate recycling bin.
- Before you get rid of an old appliance, make sure you disable it. Contact your local authority to find out the address of your nearest recycling centre to dispose of your appliance.
- Do not pour used oil down the sink. Collect it in a sealed container and take it to an appropriate collection point or, failing that, place it in the rubbish bin (it will end up in a controlled dump; this is probably not the best option, but it will avoid contaminating ground water)

Measures to be noted during transport

Secure all mobile parts on the appliance using an adhesive tape that can be removed without leaving any traces. Secure the top cover, if available, to the appliance sides using adhesive tape.

Keep the original appliance packaging. Only transport the appliance in the original packaging. Observe the transport arrows on the packaging.

If the original packaging is no longer available

pack the appliance in protective packaging to guarantee sufficient protection against any transport damage.

The appliance must be transported upright, with the hotplate and the burners facing upwards. Do not place any heavy objects on the appliance.

| | | | |
|--|-----------|---|-----------|
| Қауіпсіздік техникасы туралы нұсқаулар..... | 12 | Тазалау және күтім көрсету..... | 18 |
| Зақымдардың себептері..... | 14 | Тазалау..... | 18 |
| Жаңа плитаңыз..... | 14 | Күтім..... | 19 |
| Жалпы..... | 14 | Ақауларды жою..... | 19 |
| Әзірлеу беті..... | 15 | Сервистік қызмет..... | 20 |
| Газ жанарғысының бұрама қосқышы..... | 15 | Е-нөмірі мен FD-нөмірі..... | 20 |
| Тиімді жанарғы үшін крест тәрізді қаптама (таңдаулы):..... | 15 | Орама мен қолданған жабдықтар..... | 20 |
| Бірінші пайдаланудан алдын..... | 16 | Экологиялық тұрғыдан қауіпсіз жолмен утилизациялау..... | 20 |
| Құралдарды тазалау..... | 16 | Тасымалдауда орындалатын шаралар..... | 20 |
| Жанарғы шынаяғымен мен қақпағын алдын ала тазалау..... | 16 | | |
| Әзірлеу бетін орнату..... | 16 | | |
| Газ жанарғысын осылай жандырасыз..... | 16 | | |
| Ескертулер..... | 16 | | |
| Пісіру ыдыстары мен пісіру ұсыныстары..... | 17 | | |
| Қолайлы ыдыс..... | 17 | | |
| Кесте - Пісіру..... | 17 | | |

Әнім, керек-жарақтар, қосалқы бөлшектер және қызметтер туралы қосымша ақпаратты www.bosch-home.com сайтында және www.bosch-eshop.com интернет-дүкенінде табуға болады

⚠ Қауіпсіздік техникасы туралы нұсқаулар

Осы нұсқаулықты мұқият оқып шығыңыз. Пайдалану және монтаждау нұсқаулықтарын, сондай-ақ, құрылғы паспортын кейін пайдалану немесе жаңа иесі үшін сақтаңыз.

Осы нұсқаулық шарттары сақталмаса өндіруші жауапкерлікті мойындамайды.

Осы құрылғы DIN EN 30-1-1 бойынша газ құрылғылары: ішіне салынатын құрылғылар 3-сыныпына сай.

Құрылғының рұқсат етілген түрі: H14BH

Осы пайдалану нұсқаулығындағы графикалар ұсыныс ретінде берілген.

Құрылғыны орнатудан алдын пленкасында сақтаңыз.

Орамадан шығарғаннан кейін құрылғыны тексеріңіз. Тасымалдау кезінде алынған зақымдар бар болса, құрылғыны қоспаңыз.

Назар аударыңыз: Құрылғыны пайдалану бөлмеде температураның және ылғалдылықтың, жану өнімдерінің артуына әкеледі. Құрылғыны пайдалану кезінде бөлменің жақсы желдетілуіне ерекше көңіл бөлу керек: желдету тесіктерін жаппаңыз немесе ауаны тазалауға арналған арнайы механикалық құралды (мысалы, аспалы түтін шығаратын құбыр) пайдаланыңыз.

Құрылғы қарқынды және ұзақ жұмыс істегенде қосымша желдету қажеттілігі пайда болуы мүмкін. Бұл жағдайда терезені ашуға немесе желдету құрылғысын жоғарырақ қуатқа қосуға болады.

Бұл құрылғыны тек жетерлік желдетілетін жерде және тек ауа алмасу үшін жүретін

нұсқаулар мен ережелерге сәй ретте орнату мүмкін. Құрылғыны түтін шығатын мұржасына немесе газ шығу жүйесіне біріктірілуі мүмкін емес.

Құрылғы үшін орнату жайы ауа алмасу ережелеріне толық сәй болуы керек.

Құрылғыны орнату жинақтағы орнату нұсқаулығы бойынша болуы керек.

Құрылғыны қосуды және басқа газ түріне қайта реттеуді тек лицензиясы бар техник орындауы керек. Құрылғыны реттеу (электр желісіне және газ құбырына қосу) пайдалану және орнату нұсқаулықтарына сай орындалуы керек. Дұрыс емес қосу және дұрыс емес реттеулер ауыр жарақаттарға және зақымдарға әкелуі мүмкін. Құрылғы өндірушісі мұндай нұқсанға жауапты болмайды. Құрылғы кепілдігінің күші жойылады.

Бұл құрылғы тек үйде пайдалану үшін жасалған, коммерциялық немесе өндірістік пайдалануға рұқсат жоқ. Бұл құрылғыны яхта немесе фургонда пайдалану мүмкін емес. Кепілдік тек құрылғы өз мақсатында пайдаланылған жағдайда әсер етеді.

Бұл құрылғы үйде және үй жағдайларында пайдалануға арналған. Құрылғыны тек тамақты және сусындарды әзірлеу үшін пайдаланыңыз, бірақ ешқашан қыздырғыш ретінде пайдаланбаңыз. Пайдалану кезінде құрылғыны бақылап тұру керек. Құрылғыны тек жабық бөлмелерде пайдаланыңыз.

Бұл құрылғы сыртқы таймермен немесе қашықтан басқару құралымен пайдалануға арналмаған.

Пайдалануда құрылғыны бақылаусыз қалдыру мүмкін емес.

Бұл құрылғыны жасы 8-дегі және одан үлкен балалардың, сонымен қатар қозғалу, сезу және ойлану мүмкіндіктері шектелген және/немесе жеткілікті білімі жоқ тұлғалардың пайдалануына тек оларды біреу қадағалаған жағдайда немесе осы құрылғыны қауіпсіз пайдалану нұсқауларымен таныс болса және дұрыс пайдаланбау салдарынан қандай қауіптердің орын алатынын түсінетін болса ғана пайдалануларына болады.

Балаларға осы құрылғымен ойнауға рұқсат етпеңіз. Балаларға ересектердің қадағалауынсыз тазалау және алдын алу қызметі үшін орындалатын әрекеттерді орындауға рұқсат етпеңіз.

Тұтану қауіпі!

- Жанбаған газ жабық бөлмелерде жиылып тұтану қауіпі пайда болады. Құрылғыны желтетпеңіз. Жанарғылар өшіп қалуы мүмкін. Газ жанарғысының істеуі туралы ескерту нұсқауларын оқыңыз.
- Ыстық май және жануар майы тез тұтанады. Ыстық майды және жануар майын қараусыз қалдырмаңыз. Ешқашан отты сумен сөндірмеңіз. Конфорканы өшіріңіз. Отты қақпақпен, арнайы жалынды басатын көрпемен немесе сол сияқты бірдеңемен сөндіріңіз.
- Газ конфоркалары пайдалану кезінде үстіне ыдыс қойылмаған болса қатты қызады. Құрылғы немесе оның үстінде орнатылған түтін шығаратын құбыр зақымдалуы және өртке әкелуі мүмкін. Сүзгідегі май қалдықтары түтін шығаратын құбырда жануы мүмкін. Газ конфоркаларын тек үстіне ыдыс қойылған күйде пайдаланыңыз.
- Конфоркалар қатты қызады. Ешқашан әзірлеу бетіне конфоркаларды қоймаңыз. Әзірлеу бетіне заттарды қоймаңыз.
- Құрылғы өте ыстық болады, тұтанғыш заттар оңай жана бастауы мүмкін. Тұтанғыш заттарды (мысалы, аэрозоль баллондарын және тазалағыш заттар) духовка астында немесе духовка жанында сақтамаңыз және пайдаланбаңыз. Тұтанғыш заттарды духовкада немесе духовка үстінде сақтамаңыз.
- Құрылғының артқы тақтасы қатты қызады. Бұл тақалған құбырдың зақымдалуына әкелуі мүмкін. Электр сымдар және газ құбырлары құрылғының артқы тақтасына тимеуі керек.

Күйік алу қауіпі бар!

- Конфоркалар мен олардың аймақтары, әсіресе, әзірлеу бетінің жақтауы өте қатты қызады. Ешқашан ыстық беттерге тимеңіз. Балаларды аулақ ұстаңыз.
- Пайдалану кезінде құрылғының жоғарғы беттері ыстық болады. Жоғарғы беттерге тимеңіз. Балаларды құрылғыдан ары ұстаңыз.
- Алкогольді булар ыстық пісіру аймағында от алуы мүмкін. Ешқашан көп жоғары пайыздық алкогольі бар тамақтарды әзірлемеңіз. Тек кіші пайыздық алкогольді пайдаланыңыз.
- Бос ыдыс жұмыс істеп тұрған конфоркаларда өте қызады. Ешқашан бос ыдысты қыздырмаңыз.
- Метал заттар пісіру аймағында жылдам қызады. Ешқашан метал заттарды, мысалы пышақ, шанышқы, қасықты пісіру аймағына қоймаңыз.
- Сұйытылған газ бар газ баллоны тік емес тұрса, сұйытылған газ/бутан құрылғыға кіруі мүмкін. Бұл кезде жалынның қарқынды атулары пайда болуы мүмкін. Ендірілген бөліктер зақымдалуы және уақыт өте келе ауа кірмейтіндігін жоғалтуы мүмкін, бұл газдың басқарылмайтын ағуына әкеледі. Екі жағдайда өртке әкелуі мүмкін. Сұйытылған газ бар баллондарды әрқашан көлденең күйде пайдалану керек.
- Жұмыс кезінде құрылғы қатты қызады. Тазалау алдында құрылғыны суытыңыз.

Жарақат алу қауіпі бар!

- Білікті емес маманның жөндеуі қауіпті. Жөндеуді және зақымдалған қосу сымдарын ауыстыруды тек біздің клиенттерге қызмет көрсететін тәжірибелі техниктердің біреуі ғана орындай алады. Құрылғы ақаулы болса, ашаны розеткадан суырыңыз немесе сақтандырғыштар блогындағы сақтандырғышты өшіріңіз. Сервистік қызметке қоңырау шалыңыз.
- Құрылғының ақаулықтары және зақымдары өте қауіпті. Ақаулы құрылғыны ешқашан қоспаңыз. Ашаны розеткадан суырыңыз немесе сақтандырғыштар блогындағы сақтандырғышты өшіріңіз. Газ беруді жабыңыз. Сервистік қызметке қоңырау шалыңыз.
- Жарамсыз өлшемдер, зақымдалған немесе дұрыс орнатылмаған кәстрөлдер ауыр жарақаттарға әкелуі мүмкін. Ыдыс туралы нұсқауларды орындаңыз.

Ток соғу қаупі бар!

- Білікті емес маманның жөндеуі қауіпті. Жөндеуді тек біздің клиенттерге қызмет көрсететін тәжірибелі техниктердің біреуі ғана орындай алады. Құрылғы ақаулы болса, ашаны розеткадан суырыңыз немесе сақтандырғыштар блогындағы сақтандырғышты өшіріңіз. Сервистік қызметке қоңырау шалыңыз.
- Құрылғының ыстық беттерінде кабель изоляциясы еріп кетуі мүмкін. Ешқашан қосқыш кабельдің ыстық құрылғыға тиюіне жол бермеңіз.
- Енетін ылғал ток соғуына әкелуі мүмкін. Қысымы жоғары тазалағыштарды пайдаланбаңыз.
- Ақаулы құрылғы ток соғуына әкелуі мүмкін. Ақаулы құрылғыны ешқашан

қоспаңыз. Ашаны розеткадан суырыңыз немесе сақтандырғыштар блогындағы сақтандырғышты өшіріңіз. Сервистік қызметке қоңырау шалыңыз.

Құрылғыны желтетпеңіз. Жанарғылар өшіп қалуы мүмкін.

Құрылғы ішін ешқашан өзгертпеңіз. Керек болса біздің сервистік қызметімізге хабарласыңыз.

Егер басқару жұдырықшасы бұралмаса күш салмаңыз. Басқару жұдырықшасын жөндету немесе алмастыру үшін сервистік қызметке хабарласыңыз.

Зақымдардың себептері

Әзірлеу беті

Назар аударыңыз!

Конфоркаларды тек кәстрөлдер орнатылған күйде пайдаланыңыз. Бос кәстрөлдерді және табаларды қыздырмаңыз. Кәстрөлдің түбі зақымдалады.

Назар аударыңыз!

Тек жалпақ түбі бар кәстрөлдерді және табаларды пайдаланыңыз.

Назар аударыңыз!

Кәстрөлмен табаны жанарғы ортасына қойыңыз. Осылай жанарғы алауы ыстығы оптималды ретте кәстрөл немесе табаның астына тасымалданады. Тұтқы немесе құлағы зақымдалмай жоғарырақ энергияны сақтау деңгейіне жетіледі.

Назар аударыңыз!

Пісіру аймағындағы жанарғылар таза және құрғақ болуына көз жеткізіңіз. Жанарғы шынаяғымен жанарғы қақпағы жайында дұрыс жатуы керек.

**** Таңдаулы:** Тек бірнеше үлгілер үшін жүреді.

Назар аударыңыз!

Плитаны пайдалану кезінде жоғарғы қақпақ жабылмауын қадағалаңыз.

Назар аударыңыз!

Егер құрылғыны газ баллонымен пайдалансаңыз газ баллоны тік тұруы керек. Газ баллоны көлденең тұруы құрылғы ішкі бөліктерін зақымдап газ кемуіне себеп болуы керек.

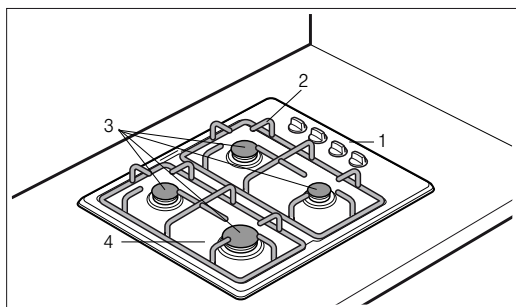
Жаңа плитаңыз

Мұнда жаңа плитаңызбен танысасыз. Мұнда біз сізге басқару тақтасы, әзірлеу беті және кейбір басқару элементтері туралы

айтып береміз. Сіз жұмыс камерасы және құралдар туралы ақпарат аласыз.

Жалпы

Конфигурация сәйкес құрылғы түріне байланысты.



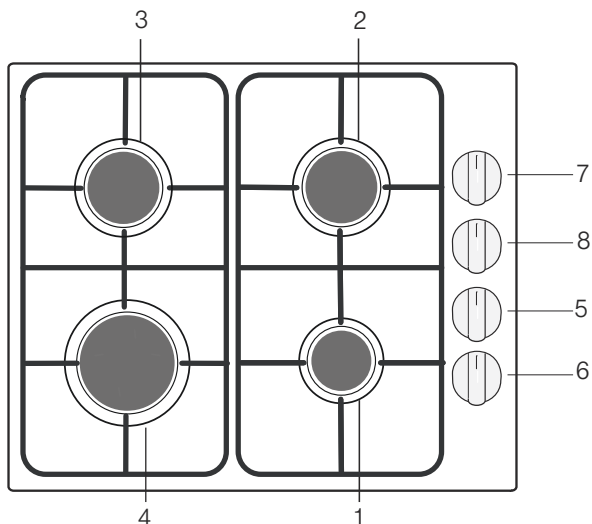
Түсіндірме

| | |
|---|-----------------------|
| 1 | Басқару панелі |
| 2 | Болат шілдері |
| 3 | Жанарғы/Электроплита* |
| 4 | Пісіру панелі |

* Таңдаулы

Әзірлеу беті

Мұнда басқару тақтасына шолуды аласыз. Конфигурация сәйкес құрылғы түріне байланысты.

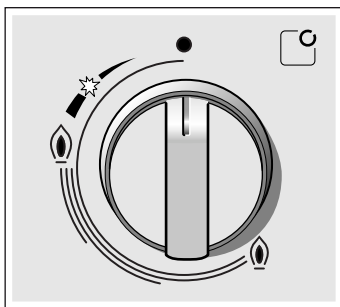


Түсіндірме

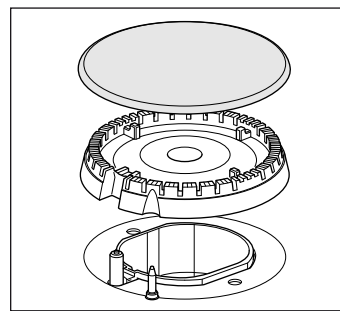
| | |
|---|--------------------------------------|
| 1 | Тиімді жанарғы |
| 2 | Стандартты жанарғы |
| 3 | Стандартты жанарғы |
| 4 | Қатты жанатын жанарғы |
| 5 | Тиімді жанарғы бұрама қосқышы |
| 6 | Стандартты жанарғы бұрама қосқышы |
| 7 | Стандартты жанарғы бұрама қосқышы |
| 8 | Қатты жанатын жанарғы бұрама қосқышы |

Газ жанарғысының бұрама қосқышы

Әрбір жұдырықшада басқарылатын жанарғы белгісі қойылған.



Құрылғыны дұрыс пайдалану үшін торлар мен барлық жанарғы бөліктері дұрыс тұруы керек. Жанарғы қақпақтарын шатастырмаңыз.



| Пісіру панелі | Қуаттылығы |
|-----------------------|------------|
| Тиімді жанарғы | 1 кВт |
| Стандартты жанарғы | 1,75 кВт |
| Қатты жанатын жанарғы | 3 кВт |

Конфорка бұрама қосқышы

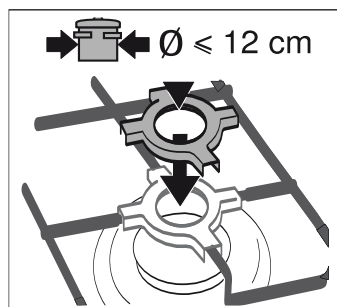
Конфоркалар бұрама қосқыштары арқылы конфорка қуатын реттеу мүмкін.

| Күйлер | Функция/газ плиталары |
|-----------------|--|
| ● Нөл күйі | Плита өшірілген. |
| ☼ От алу күйі | От алу күйі |
| 🔥 Реттеу аймағы | үлкен алау = ең қатты реттеу Тиімді алау = ең кіші реттеу |

Реттеу аймағының ақырында тірек. Басқа бұрамаңыз.

Тиімді жанарғы үшін крест тәрізді қаптама (таңдаулы):

Құрылғы жинағында жеткізілген крест тәрізді қаптаманы тамақтарды диаметрі 12 см кем болған кіші кастрюльде немесе эспрессо кофежайнатқысында түрік кофе әзірлеу үшін пайдаланыңыз.



Крест тәрізді қаптаманы тиімді жанарғы болат шілдері үстіне қойыңыз.

Крест тәрізді қаптаманы диаметрі 12 см ұзын болған кастрюльдер үшін пайдаланбаңыз.

Крест тәрізді қаптаманы тек тиімді жанарғыда пайдаланыңыз.

Бірінші пайдаланудан алдын

Осы жерде бірінші пайдаланудан алдын орындалатын нұсқаулар берілген. Алдымен тарауды оқыңыз Қауіпсіздік туралы мағлұматтар .

Құралдарды тазалау

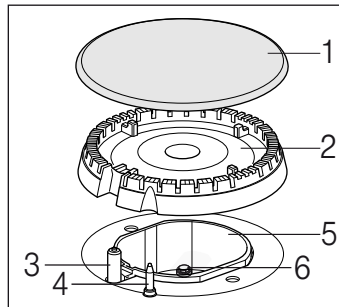
Құралды бірінші рет пайдаланбай тұрып ыстық сабынды сумен және жұмсақ шүберекпен мұқият тазалаңыз.

Жанарғы шынаяғымен мен қақпағын алдын ала тазалау

Жанарғы қақпағы (1) мен жанарғы шыаяғын (2) су және жуатын құралмен жуыңыз. Бөлектерін әбден кептіріңіз.

Жанарғы шынаяғы мен қақпағын жанарғы табағына (5) қайта орнатыңыз. Оттық (3) пен ұшқын басатын штифт (4) зақымдалмауына көз жеткізіңіз.

Форсунка (6) құрғақ және таза болуы керек. Жанарғы қақпағын ердайым жанарғы шыаяғына дұрыс орнатыңыз.

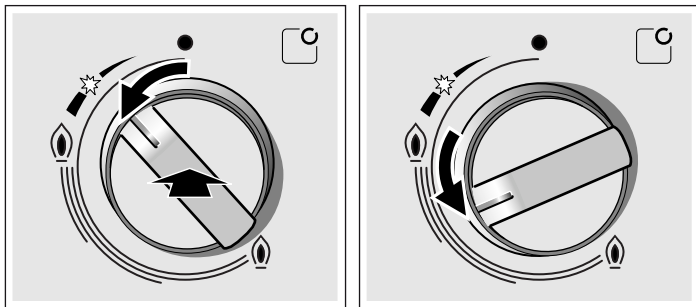


Әзірлеу бетін орнату

Әзірлеу бетіңіз төрт газ жанарғысымен жабдықталған. Мұнда газ жанарғысын жандыру және жалынның биіктігін орнату жолы туралы оқи аласыз.

Газ жанарғысын осылай жандырасыз

Жанарғы қақпағын әрдайым жанарғы шыаяғына дұрыс орнатыңыз. Жанарғы табағындағы тесіклер бос болуы керек. Барлық бөліктер құрғақ болып қажет.



1. Керекті конфорканың бұрағышын басып солға от алу белгісіне бұраңыз. От алу бастылады.
2. Бұрағышты 3-5 секунд басып тұрыңыз. Газ жанарғысы от алады.
От алу қорғауышы белсендіріледі. Газ алауы өшсе от алу қорғауыш жүйесі арқылы газ жеткізілуі тоқтатылады.
3. Қажетті алау көлемін реттеңіз. ● Өшік мен белгілерінің арасында алау баянды болмайды. Сол үшін үлкен мен кіші алау арасындағы реттеуін пайдаланыңыз.
4. Егер алау өшсе, әдісті 1-басқыштан бастап қайталаңыз.
5. Конфорканы өшіру: бұрағышты ● оңға Өшік күйіне бұрап қойыңыз.

От алу аспабын 15 секундтан ұзақ істету мүмкін емес. Егер жанарғы 15 секундтан соң жанбаса бір минут күте тұрыңыз. Сосын от алу әдісін қайталаңыз.

Назар аударыңыз!:

Плитаны өшіруен соң бұрағышты бірдей бұрасаңыз, газ шығады. Қосқышты от алу күйіне алып келмесеңіз, газ шығуы 90 секундтан соң тоқтатылады.

От алдыру істемей жатыр

Тоқ үзіліс немесе ылғал от алу білтесі жағдайында газ шілдерін газдық шақпақпен немесе сіріңкемен жағыңыз.

Ескертулер

Жанарғы істеуі кезінде жай дыбыс қалыпты болып табылады. Бірінші пайдалануда иіс шыққаны қалыпты. Бұл қауіпі болмай ақау болмайды. Иістер уақытпен жоғалады. Сарғылт алау қалыпты болып табылады. Ол ауадағы шаң және тасып кеткен сұйықтықтар себебінен пайда болады. Егер жанарғы алауы кездейсоқ өшсе жанарғының басқару жұдырықшасын Өшікке қойып жанарғы кемінде бір минут жандырмаңыз.

Жанарғы өшкеннен бірнеше секунд соң қатаң дыбыс естіледі. Бұл қалыпты жағдай болып қауіпсіздік жүйесі өшкенін білдіреді.

Құрылғыны таза ұстаңыз. Ластанған от алу білтесі дұрыс от алмайды. Жүйелі түрде кіші метал емес қылшақпен тазалаңыз. От алу білтесінде ешқандай қатты соққыларды жасау мүмкін емес.

Пісіру ыдыстары мен пісіру ұсыныстары

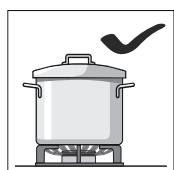
Қолайлы ыдыс

| Жанарғы/ Электроплита** | Минималды кастрель диаметрі | Максималды кастрель диаметрі |
|----------------------------|-----------------------------------|---------------------------------|
| Электрконфорка* | 14,5 см | 14,5 см |
| Қатты жанатын жанарғы | 24 см | 28 см |
| Стандартты жанарғы | 18 см | 24 см |
| Тиімді жанарғы | 12 см | 18 см |

** Таңдаулы (электроплитасы бар үлгілер үшін)

Пайдалану туралы нұсқаулар

Келесі нұсқаулар қуатты үнемдеуге және ыдыстың зақымдалуын болдырмауға көмектеседі:



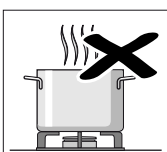
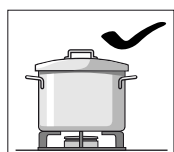
Әр жанарғы үшін өлшемі қолайлы ыдысты пайдаланыңыз.

Үлкен жанарғылар үшін өлшемі шағын ыдысты пайдаланбаңыз. Жалын ыдыстың бүйірлеріне тимеуі керек.

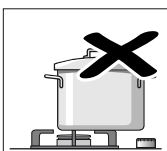
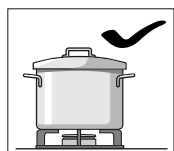


Әзірлеу бетінде тұрақты тұрмайтын пішіні өзгерген ыдысты пайдаланбаңыз. Ыдыс аударылуы мүмкін.

Тек түбі тегіс немесе қалың ыдысты пайдаланыңыз.

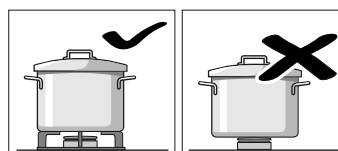


Қақпақсыз немесе жылжып кеткен қақпақпен әзірлемеңіз. Қуаттың көп мөлшері тұтынылады.



Пісіру ыдысын жанарғы ортасына қойыңыз әйтпесе ыдыс түсіп кетуі мүмкін.

Үлкен кастрельдерді жанарғы үстіне арматураға жақын қоймаңыз. Олар қызып зақымдануы мүмкін.

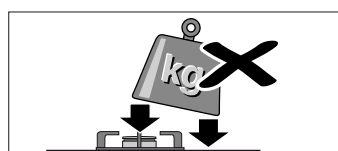


Кастрельдерді торларға қойыңыз, бірақ ешқашан тікелей жанарғыларға қоймаңыз.

Пайдаланбай тұрып ыдысқа арналған торлар және жанарғылардағы қақпақтар дұрыс орнатылғанына көз жеткізіңіз.

Әзірлеу бетінде тұрған ыдыс көмегімен абайлап әзірлеңіз.

Әзірлеу бетін соқпаңыз және оның үстіне салмағы ауыр заттарды қоймаңыз.



Кесте - Пісіру

Әрбір конфорка үшін сәйкес көлемдік кастрельді таңдаңыз. Кастрель немесе таба астының диаметрі конфорка өлшеміне сәйкес болуы қажет.

Пісіру уақыттары тамақ түріне, салмағына және сапасына байланысты. Сол үшін ауытқулар болуы мүмкін. Оптималды пісіру уақытын өзіңіз бағалауыңыз мүмкін.

Минерал заттар мен витаминдер қайнатуда жылдам жойылады. Сол үшін кем суды пайдаланыңыз. Осы жолмен витамин мен минерал заттар қалады. Көкөністер қатты және ішінде көп нәрлі заттар сақтануы үшін қысқа пісіру уақыттарын таңдаңыз.

| Мысал | Тамақ | Конфорка | Пісіру басқышы |
|------------------------|---|---|------------------------------------|
| Еріту | Шоколад, сарымай, маргарин | Тиімді жанарғы | кіші алау |
| Жылыту | Сорпа, консервіленген көкөністер | Стандартты жанарғы Электроплита** | кіші алау 1 |
| Жылыту және жылы ұстау | Көжелер | Тиімді жанарғы Электроплита** | кіші алау 1 |
| Бұқтыру* | Балық | Стандартты жанарғы Электроплита** | үлкен және кіші алау арасында 2 |
| Бұқтыру* | Картоп және басқа көкөністер, ет | Стандартты жанарғы Электроплита** | үлкен және кіші алау арасында 2 |
| Пісіру* | Күріш, көкөніс, ет тамақтары (тұздықталған) | Стандартты жанарғы Электроплита** | үлкен алау биіктігі 2-3 |
| Құыру | Құймақ, картоп, шницель, балық таяқшалары | Қатты жанатын жанарғы Электроплита** | үлкен және кіші алау арасында 3 |

* Егер қақпақты кастрельді пайдалансаңыз, су қайнағанда алауды дереу кішірейтіңіз.

** Таңдаулы: электроплитасы бар үлгілер үшін

Тазалау және күтім көрсету

Оптималды істеу және пісіру аймағы ұзақ мерзім істеу үшін күтім жасап әбден тазалап тұру керек.

Қауіпсіздік шарасы ретінде газды газ баллоны реттегіші арқылы өшіріңіз. (Егер плита табиғи газға реттелген болса, табиғи газ шүмегін жабыңыз).

Құрылғы желі айырын розеткадан шығарыңыз.

Пісіру аймағы әлі ыстық болса алдымен сұйтыңыз.

Назар аударыңыз!

- Ешқандай жоғары қысым тазалауыштары немесе бу тазалауыштарын пайдаланбаңыз.
- Плитаны тазалау үшін ешқандай қышқыл, сұйылтқыш, бензин немесе бензол сияқты жанатын заттектерді пайдаланбаңыз.
- Ешбір жағдайда қыратын тазалау құралдары немесе материалдар пайдаланбауы керек.

Тазалау

Түрлі беттер тиісті емес тазалау құралымен зақымданбауы үшін төмендегі деректерге назар аударыңыз.

Пісіру аймағын тазалауда

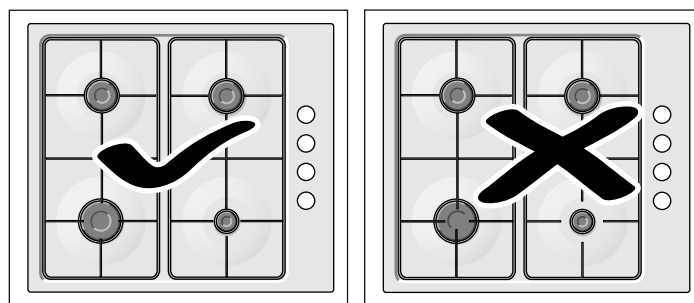
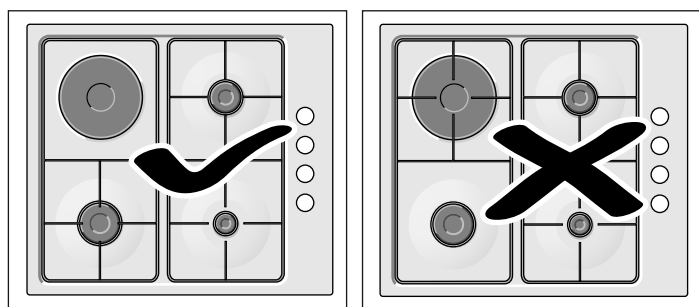
- ешқандай сұйылтылмаған жуу құралы немесе ыдыс жуатын машина жуу құралы,
- ешқандай алкогольді тазалау құралы,
- ешқандай ысқалайтын губка,
- ешқандай пеш тазартқышы немес дақ тазартқышы сияқты агрессивті тазалау құралдары,
- Ешқашан өткір немесе ысқылайтын тазалау құралдарын пайдаланбаңыз.
- Бөліктерін ыдыс жуатын машинада тазаламаңыз.

Жаңа губкаларды алғашқы рет пайдаланудан алдын әбден жуыңыз.

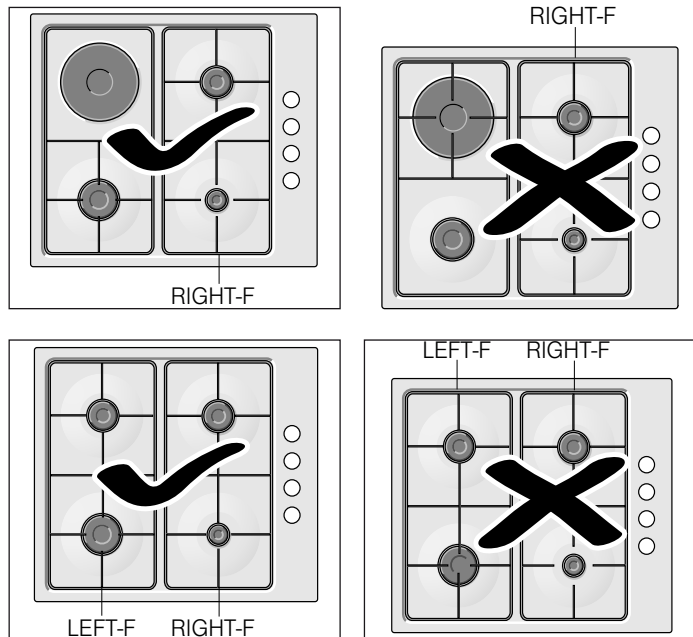
| | |
|---|---|
| Тот баспайтын болаттық алдылар | Тот баспайтын болат тазартқышын жұмсақ шүберекпен тазалаңыз. Әрдайым табиғи текстураға сәйкес ретте сүртіңіз. Әйтпесе сызат пайда болуы мүмкін. Жұмсақ шүберекпен кептіріңіз. Өктас, май, крахмал және ақтын дақтарын дереу жойыңыз. Ешқандай агрессивті тазартқыштар, тырнайтын губкаларды және дөрекі тазалау шүберектерін пайдаланбаңыз. Тот баспайтын болат беттерін арнайы күту құралдарымен жылтырату мүмкін. Шығарушы нұсқауларын орындаңыз. Арнайы тот баспайтын болат тазалау құралын біздің сервитік қызметімізде немесе маманданған саудада сатып алу мүмкін. |
| Эмальдалған және лакталған беттер | Аз тазалау құралымен және ылғалды шүберекпен тазалаңыз. Жұмсақ шүберекпен кептіріңіз. |
| Газ конфоркаларының газ жанарғылары мен болат шілтерлері | Ыдыс жуатын машинада тазаламаңыз. Болат шілдерді алып губка, тазалау құралы және аз жылы сумен тазалаңыз. Жанарғы шынаяғы мен қақпағын алып қойыңыз. Тазалау үшін губка мен аз жылы су және тазалау құралын пайдаланыңыз. Жанарғы шынаяғындағы газ тесіктері таза болып ластан бос болуына көз жеткізіңіз. Оттықтарды жұмсақ қылшақпен тазалаңыз. Газ жанарғысы тек оттық таза болғанда жұмыс істейді. Жанарғы табағындағы ас қалдықтарын аз жылы сілті ерітіндісі және ылғалды шүберекпен алып тастаңыз. Сол үшін кем суды пайдаланыңыз. Су құрылғы ішіне кіруі мүмкін емес. Форсунка тесігі тазалау кезінде бітелмеуіне немесе зақымдалмауына көз жеткізіңіз. Барлық бөліктерді тазалаудан соң кептіріп жанарғы қақпағын жанарғы қақпағына дұрыс салыңыз. Дұрыс орнатылмаған бөліктер жанарғы от алуына кедергі жасайды. Болат шілдерін қайта орнату. Болат шілдерін тазалауға ұсынылған арнайы тазалауыштарды біздің сервистік қызмет немесе маманданған саудада сатып алу мүмкін. |
| Электроконфорка (таңдаулы) | Ысқылау губкасының қатты жағымен және аз сұйық ысқылау құралымен тазалаңыз. Тазалаудан соң конфорканы кептіру үшін қысқа қосыңыз. Ылғалды конфоркалар уақытпен тотталады. Соңында күту құралын жағыңыз. Шашыраған сұйықтықтармен ас қалдықтарын әрдайым дереу жойыңыз. |
| Электрплитаның (таңдаулы) метал шеңбері | Метал шеңбер уақытпен реңін өзгертуі мүмкін. Бірақ бастапқы реңін қалпына келтіру мүмкін. Шеңберді ысқылау губкасының қатты жағымен және аз сұйық ысқылау құралымен тазалаңыз. Осында және шектес беттер ысқаланбауына көз жеткізіңіз. Беттерді зақымдау мүмкін. Электрплитаның метал шеңберін тазалауға ұсынылған арнайы тазалауыштарды біздің сервистік қызмет немесе маманданған саудада сатып алу мүмкін. |
| Бұрама түймешелер | Аз тазалау құралымен және ылғалды шүберекпен тазалаңыз. Жұмсақ шүберекпен кептіріңіз. |
| Жабдықтар | Жылы сілті ерітіндісімен жұмсатыңыз. Металсыз щетка немесе губкамен тазалаңыз. |

Егер торда резеңке қаптамалары болса тазалауда абай болыңыз. Қаптама шешіліп тор пісіру аймағын қыру мүмкін.

Болат шілдер тазалап кептіруден соң дұрыс салынғанына көз жеткізіңіз.



**** Таңдаулы:** Тек бірнеше үлгілер үшін жүреді.



Күтім

Шашыраған сұйықтықтарды әрдайым дереу жойыңыз. Осылай ас қалдықтары жабыспай сіз күшпен уақытыңызды сақтайсыз.

Жанарғы бөліктерінің беттерін әр пайдаланудан соң сұйық жағдайда тазалаңыз. Кіші тамақ қалдықтары да (тамған тамақтар, шашыраған май т.б.) бетке күйіп жабысса кейінірек оларды жою қиын болады. Дұрыс алау шығуы үшін жанарғы ойықтары мен тесіктері таза болуы керек.

Кейбір пісіру ыдыстарын жылжыту торларда метал іздерін қалдыру мүмкін.

Жанарғы мен торларды сабын сумен және метал емес қылшақпен тазалаңыз.

Құрылғы бөліктерін ыдыс жуатын машинада тазаламаңыз.

Әрдайым барлық жанарғы мен торларды тазалаңыз. Пісіру әдісінің басында су тамшылары мен ылғал аймақтар эмальды зақымдауы мүмкін.

Назар аударыңыз!

Тот баспайтын болат тазартқыштарын басқару бөліктері аймағында пайдалану мүмкін емес. Белгілер (басылған) жойылуы мүмкін.

Шашыраған майда және лимон сияқты қышқыл қамтитын азық-түліктерді бірден жойыңыз.

Басқару панелін тазалау үшін ешқашан ысқылайтын тазалау ұнтағын пайдаланбаңыз. Әйтпесе жазулар қырылып кертуді мүмкін.

Жанарғы қақпағы қара эмальмен қапталған. Жоғарғы температура себебінен рең өзгеруі мүмкін. Жанарғы функциясы оған әсер етпейді.

Ақауларды жою

Кейбір жағдайларда пайда болған ақауларды жай жою мүмкін. Сервистік қызметке қоңырау шалудан алдын төмендегі нұсқауларды орындаңыз:

| Ақау | Мүмкін себеп | Шешім |
|---|---|--|
| Жалпы электр ақауы. | Сақтандырғыш зақымдалған. | Бас сақтандырғыш шкафында сақтандырғыш зақымданбағанын тексеріңіз, керек болса алмастырыңыз. |
| | Автоматты сақтандырғыш немесе авариялық тоқтан сақтандыру қосқышы іске қосылды. | Бас басқару панелінде автоматты сақтандырғыш немесе авариялық тоқтан сақтандыру қосқышы күйгенін тексеріңіз. |
| Автоматты от алу істемей жатыр. | От алдыру бітелелері мен жанарғылар арасында азық-түлік немесе тазалағыш қалдықтары болуы мүмкін. | От алдыру бітесі мен жанарғы арасы таза болуы керек. |
| | Жанарғылар ылғалды. | Жанарғы қақпақтарын әбден кептіріңіз. |
| | Жанарғы қақпақтары дұрыс қойылмады. | Қақпақтар дұрыс жатуын тексеріңіз. |
| Бір қалыпты болмаған жанарғы алауы. | Құрылғы жерге қосымалған немесе қате қосылған немесе қоспа зақымдалған. | Электр орнатушына хабарласыңыз. |
| | Жанарғы бөліктері дұрыс қойылмады. | Жанарғы бөліктерін тиісті жанарғысына дұрыс қойыңыз. |
| Газ ағымы қалыпты емес немесе газ шықпай жатыр. | Жанарғы ойықтары ластанған. | Жанарғы ойықтарын тазалаңыз. |
| | Аралық клапандар жабық. | Мүмкін аралық клапандарын ашыңыз. |
| Асханада газ иісі шығып жатыр. | Газ баллонын пайдалансаңыз ол бос болмауын тексеріңіз. | Газ баллонын алмастырыңыз. |
| | Газ шүмегі ашық. | Газ шүмектерін жабыңыз. |
| | Газ баллоны дұрыс біріктірілмеген. | Газ баллон бітеулігін тексеріңіз. |
| Жанарғы басқару жұдырықшасын жібегеннен соң бірден өшеді. | Мүмкін газдың кемуі. | Газ шүмегін жабып аймақты желдетіңіз да орнатуды тексеріп сертификаттау үшін авторизацияланған маманға хабарласыңыз. Құрылғы немесе орнатылымда ешқандау газ кемуі жоқтығы қамтамасыз етілмегенше құрылғыны пайдаланбаңыз. |
| | Басқару жұдырықшасын ұзақ баспадыңыз. | Жанарғы ота ағаннан соң басқару жұдырықшасын бірнеше секунд басыр тұрыңыз. |
| | Жанарғы ойықтары ластанған. | Жанарғы ойықтарын тазалаңыз. |

Сервистік қызмет

Егер құрылғыны жөндеу керек болса, біздің сервистік қызмет сіз үшін жасалған. Біз техниктердің қажет емес келулерін болдырмау үшін әрқашан жарайтын шешімді табамыз.

Е-нөмірі мен FD-нөмірі

Тез орындалуы үшін сервистік қызметке хабарласқан кезде өнімдік нөмірі (E-Nr.) мен өндіру күнін (FD-Nr.) дайын ұстаңыз. Зауыттық тақтайшасын нөмірлерімен плитаның астыңғы жағында табасыз. Ақау жағдайында көп іздемеу үшін осы жерде құрылғыңыз деректері мен сервистік қызмет телефон нөмірін жазып қойыңыз.

| E-нөмірі | FD-нөмірі |
|----------------------------|-----------|
| Сервистік қызмет көрсету ☎ | |

Кепілдік мерзімінде да дұрыс емес немесе теріс пайдалану жағдайында қызмет пен жөндеу ақылары төленуі мүмкін.

Барлық елдер бойынша контакт мәліметтері сервистік қызмет қосымшасында берілген.

Өндірушінің тәжірибесіне сеніңіз. Сондықтан жөндеуді құрылғыңыз үшін түпнұсқа қосалқы бөлшектері бар тәжірибелі мамандар орындайтынына көз жеткізіңіз.


Кепілдік шарттары

Егер құрылғыда зақымданулар болса немесе сапасы талаптарыңызға сәй болмаса бізге хабарласыңыз. Кепілдікті пайдалану үшін құрылғыны рұқсатсыз өзгерту немесе пайдалану мүмкін емес.

Кепілдік шарттарын құрылғы сатылған елдегі өкіліміз белгілейді. Қосымша мәліметтерді сату жайларында аласыз. Кепілдікті пайдалану үшін құрылғыны сатып алу қыбын көрсету керек.

Біз өзгертулерді енгізу құқықын сақтап қаламыз.

Орама мен қолданған жабдықтар

Егер құрылғыңызда сызылған қоқыс шелегі белгісі  болса, төмендегі нұсқауларды орындаңыз.

Экологиялық тұрғыдан қауіпсіз жолмен утилизациялау

Ораманы экологиялық тұрғыдан қауіпсіз жолмен утилизациялаңыз.



Бұл құрылғыда 2012/19/ЕО электр және электрондық жабдықты (қоқыс электр және электрондық жабдық - WEEE) утилизациялау туралы еуропалық директиваға сай белгісі бар.

Бұл директива Еуропалық Одақ шеңберінде ескі құрылғыларды қайтару және утилизациялау тәртібін қамтамасыз етеді.

Құрылғыңыз орамасы тасымалдауда тиімді қорғауды қамтамасыз ету үшін керекті материалдардан жасалған. Осы материалдарды толық кәдеге жарату мүмкін болып қоршаған ортаны қорғауға көмектеседі. Төмендегі нұсқауларды орындап қоршаған ортаны қорғауға көмектесесіз:

- Ораманы кәдеге жаратылатын материалдар контейнеріне тастаңыз.
- Тастаудан алдын пайдаланылмаған құрылғыны пайдасыз қылыңыз. Жергілікті әкімшіліктен жақын қайталама шикізат жинау жерінің мекенжайын біліп құрылғыны сол жерге жіберіңіз.
- Пайдаланылған маларды раковинаға тастамаңыз. Майды жабылатын ыдыста жинап жинайтын жерде беріңіз немесе мүмкін болмаса оны қоқыс контейнеріне тастаңыз (осылай басқарылатын қоқыс ажыратуы мүмкін болады - ең дұрыс шешім болмаса да су ластанбайды).

Тасымалдауда орындалатын шаралар

Құрылғыда барлық жылжымалы бөлектерді із қалдырмайтын жабысқақ таспамен бекітіңіз. Бар болса жоғарғы қақпағын жабысқақ таспамен құрылғы шеттеріне бекітіңіз.

Құрылғының түпнұсқалық орамасын сақтаңыз. Құрылғыны тек түпнұсқалық орамада тасымалдаңыз. Орамадағы тасымалдау көрсеткілеріне назар аударыңыз.

Егер түпнұсқалық орама жоқ болса

Құрылғыны тасымалдау зияндарынан жетерлік ретте қорғайтын орамаға ораңыз.

Құрылғы плита мен жанарғылары жоғарыға қараған күйде тасымалдануы керек. Құрылғыға ауыр заттарды қоймаңыз.

| | |
|--|-----------|
| Правила техники безопасности | 21 |
| Причины повреждений | 23 |
| Ваша новая плита | 24 |
| Общее | 24 |
| Варочная поверхность..... | 24 |
| Поворотный переключатель газовой горелки..... | 24 |
| Подставка для экономичной газовой горелки (опция):..... | 25 |
| Перед первым использованием | 25 |
| Очистка принадлежностей | 25 |
| Предварительная очистка корпусов и крышек газовых горелок..... | 25 |
| Настройка варочной панели | 25 |
| Зажигание газовой горелки..... | 25 |
| Примечания | 26 |
| Кухонная посуда и рекомендации по приготовлению | 26 |
| Подходящая посуда..... | 26 |
| Таблица - приготовление пищи | 27 |
| Очистка и уход | 27 |

| | |
|--|-----------|
| Очистка..... | 27 |
| Уход | 29 |
| Устранение неполадок | 29 |
| Сервисная служба | 30 |
| Номер E и номер FD | 30 |
| Упаковка и используемое оборудование | 30 |
| Правильная утилизация упаковки | 30 |
| Во время транспортировки соблюдайте необходимые меры предосторожности..... | 30 |

Более подробную информацию о продукции, принадлежностях, запасных частях и службе сервиса можно найти на официальном сайте www.bosch-home.com и на сайте интернет-магазина www.bosch-eshop.com

Правила техники безопасности

Внимательно прочитайте данное руководство. Сохраняйте руководство по эксплуатации и инструкцию по монтажу, а также паспорт прибора для дальнейшего использования или для передачи новому владельцу.

При невыполнении инструкций, содержащихся в данном руководстве, производитель освобождается от всякой ответственности.

Данный прибор относится к третьему классу защиты по стандарту EN 30-1-1 для газовых приборов: встроенное оборудование.

Класс допуска прибора: H14BH

Схемы, представленные в данном руководстве по эксплуатации, являются ориентировочными.

Не снимайте защитную упаковку с электроприбора до момента проведения монтажа.

Распакуйте и осмотрите прибор. Не подключайте прибор, если он был поврежден во время транспортировки.

Внимание: Использование газовой плиты приводит к повышению температуры и влажности в помещении. При эксплуатации прибора следует обратить особое внимание на хорошую вентиляцию помещения: не закрывать естественные вентиляционные отверстия или использовать специальные вентиляционные устройства (например, вытяжку над плитой).

При интенсивном и долговременном использовании прибора может потребоваться дополнительная вентиляция, в этом случае можно открыть окно или включить специальное вентиляционное устройство на более высокую мощность.

Данный прибор можно устанавливать только в хорошо проветриваемом месте, в соответствии с действующими нормами и инструкциями относительно вентиляции помещений. Данный прибор нельзя подсоединять к дымоходу для отвода дымовых газов.

В помещении, где устанавливается прибор, должна быть предусмотрена нормами вентиляция в рабочем состоянии.

Установка данного прибора должна производиться в соответствии с прилагаемой инструкцией по монтажу.

Подключение прибора и перенастройку на другой вид газа должен производить только квалифицированный специалист.

Подключение прибора (подключение к электросети и газу) должно осуществляться в соответствии с руководством по эксплуатации и монтажу. Неправильное подключение и настройка могут привести к опасным ситуациям и значительным повреждениям прибора. В данном случае производитель прибора не несёт ответственности. Гарантия на прибор теряет силу.

Данный прибор предназначен исключительно для бытового использования и не может применяться в промышленных или коммерческих целях. Данный прибор нельзя устанавливать на яхтах или в автокемперах. Гарантия производителя действительна только в случае использования прибора по назначению.

Этот прибор предназначен только для домашнего использования. Используйте прибор только для приготовления блюд и напитков. Запрещено использовать его в качестве обогревательного прибора. Следите за прибором во время его работы. Используйте прибор только в закрытом помещении.

Этот прибор не предназначен для использования с внешним таймером или пультом управления.

Не оставляйте работающий прибор без присмотра.

Дети до 8 лет, лица с ограниченными физическими, умственными и психическими возможностями, а также лица, не обладающие достаточными знаниями о приборе, могут использовать прибор только под присмотром или после подробного инструктажа и осознания всех опасностей, связанных с эксплуатацией прибора.

Детям не разрешается играть с прибором. Очистка или техобслуживание прибора не должны производиться детьми без присмотра взрослых.

Существует опасность возгорания!

- Скопление газа в закрытом помещении может привести к возгоранию. Следите, чтобы во время работы варочной панели не было сквозняков. Струя воздуха может задуть пламя на конфорках. Внимательно ознакомьтесь с инструкциями и правилами техники эксплуатации газовых конфорок.
- Горячее растительное масло или жир легко воспламеняются. Не оставляйте без присмотра горячее масло или жир. Никогда не тушите огонь водой. Выключите конфорку. Пламя можно осторожно погасить крышкой, пламягасящим покрывалом или подобными предметами.
- Включённая газовая конфорка, если на ней не установлена посуда, производит очень много тепла. Прибор и расположенная над ним вытяжка могут быть повреждены или воспламениться. Частицы жира в фильтре вытяжки могут воспламениться. Включайте газовую

конфорку только при установленной посуде.

- Конфорки очень сильно нагреваются. Никогда не кладите легко воспламеняющиеся предметы на варочную панель. Не складывайте предметы на варочную панель.
- Прибор сильно нагревается и может стать причиной возгорания легковоспламеняющихся материалов. Не храните и не пользуйтесь вблизи прибора или под ним легковоспламеняющимися предметами (например аэрозольными распылителями, чистящими средствами). Не храните в или на духовом шкафу легковоспламеняющиеся предметы.
- Задняя стенка прибора сильно нагревается. Это может привести к повреждению проводов и труб. Газоподводящие трубы и электропроводка не должны соприкасаться с задней поверхностью прибора.

Опасность ожога!

- Конфорки и соседние части варочной панели (в особенности рамка) сильно нагреваются. Не прикасайтесь к раскаленным поверхностям. Не подпускайте детей близко.
- В процессе эксплуатации поверхности прибора нагреваются. Не касайтесь горячих поверхностей. Следите, чтобы дети не подходили близко к плите.
- Пары спирта на горячей поверхности могут вспыхнуть. Никогда не готовьте блюда с большим содержанием крепких алкогольных напитков. Всегда используйте низкопроцентный алкоголь.
- Пустая кухонная посуда, установленная на газовую горелку, становится очень горячей. Никогда не устанавливайте на конфорку пустую посуду.
- Металлические предметы очень быстро нагреваются на варочной панели. Никогда не кладите металлические предметы, например, ножи, вилки, ложки или крышки, на варочную панель.
- Если баллон со сжиженным газом находится не в вертикальном положении, то сжиженный пропан-бутан может попасть в прибор. При этом из горелок может вырваться сильное пламя. Некоторые части прибора могут повредиться и со временем стать негерметичными из-за неконтролируемого выхода газа, что может привести к

ожогам. Держите баллоны со сжиженным газом всегда в вертикальном положении.

- Во время работы прибор сильно нагревается. Перед очисткой дайте прибору остыть.

Опасность травмирования!

- При неквалифицированном ремонте прибор может стать источником опасности. Любые ремонтные работы и замена газоподводящих труб или электропроводки должны выполняться только специалистами сервисной службы, прошедшими специальное обучение. Если прибор неисправен, отключите предохранитель в блоке предохранителей или выньте вилку сетевого провода из розетки и перекройте подачу газа. Вызовите специалиста сервисной службы.
- Неисправности или повреждения прибора опасны. Никогда не включайте неисправный прибор. Отключите предохранитель в блоке предохранителей или выньте из розетки сетевой шнур. Перекройте подачу газа. Вызовите специалиста сервисной службы.
- Кастрюли неподходящих размеров, повреждённые или неправильно поставленные кастрюли могут стать причиной травм. Соблюдайте указания, касающиеся кухонной посуды.

Опасность удара током!

- При неквалифицированном ремонте прибор может стать источником опасности. Поэтому ремонт должен производиться только специалистом сервисной службы, прошедшим специальное обучение. Если прибор неисправен, выньте вилку из розетки или отключите предохранитель в блоке предохранителей. Вызовите специалиста сервисной службы.
- При сильном нагреве прибора изоляция кабеля может расплавиться. Следите за тем, чтобы кабель не соприкасался с горячими частями электроприборов.
- Проникающая влага может привести к удару электрическим током. Не используйте очиститель высокого давления или пароструйные очистители.
- Неисправный прибор может быть причиной поражения током. Никогда не включайте неисправный прибор. Выньте из розетки вилку сетевого провода или выключите предохранитель в блоке предохранителей. Вызовите специалиста сервисной службы.

Не устанавливайте прибор в местах, где есть сквозняки. Струя воздуха может задуть пламя на конфорках.

Не проводите никаких действий в середине варочной панели. Если это необходимо, свяжитесь с нашим сервисным центром.

Если какая-то ручка не поворачивается, не форсируйте ее. Сразу свяжитесь с сервисным центром, чтобы починить или заменить эту ручку.

Причины повреждений

Варочная панель

Внимание!

Включайте конфорки, только когда на них установлена посуда. Не нагревайте пустые кастрюли или сковороды. Так можно повредить их дно.

Внимание!

Используйте кастрюли и сковородки только с ровной нижней поверхностью.

Внимание!

Ставьте кастрюли и сковороды точно по центру конфорки. Таким образом тепло от пламени оптимально нагреет дно кастрюли или сковороды. Рукоятка или ручки кастрюли не повредятся, а также будет достигнут высокий уровень экономии энергии.

Внимание!

Следите за тем, чтобы конфорки варочной панели всегда были чистыми и сухими. Корпус и крышка горелки должны быть установлены точно на своих местах.

** **Опция:** Действительна только для некоторых моделей.

Внимание!

Проследите за тем, чтобы при эксплуатации плиты верхняя крышка была открыта.

Внимание!

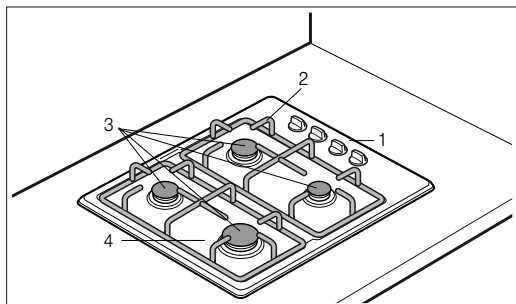
При использовании прибора с газовым баллоном баллон должен стоять вертикально. Если баллон будет находиться в горизонтальном положении, это может стать причиной повреждения внутренних частей баллона и утечки газа.

Ваша новая плита

Приведённая здесь информация поможет вам изучить вашу новую плиту. Вы ознакомитесь с панелью и отдельными

Общее

Комплектация зависит от конкретной модели прибора.



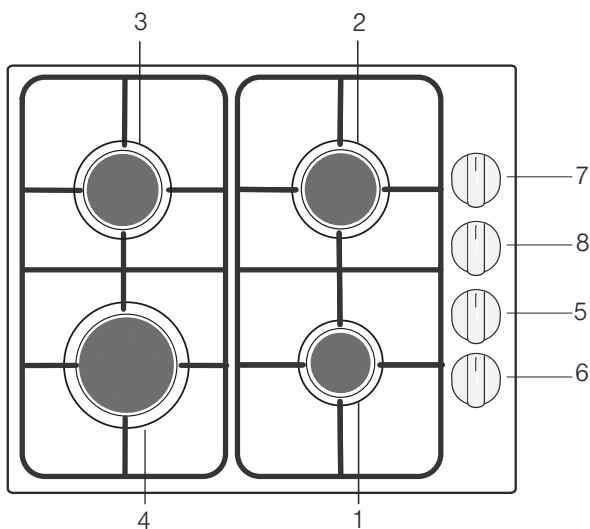
Пояснения

| | |
|---|---------------------------------|
| 1 | Панель управления |
| 2 | Стальная решетка |
| 3 | Горелка/электрическая конфорка* |
| 4 | Варочная панель |

* Опция

Варочная поверхность

Настоящий документ содержит общее описание панели управления. Комплектация зависит от конкретной модели прибора.



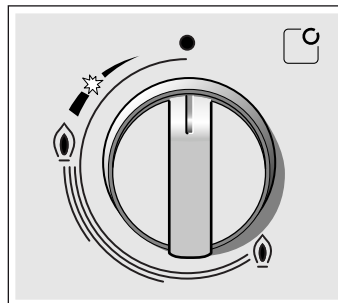
Пояснения

| | |
|---|--|
| 1 | Экономичная газовая горелка |
| 2 | Стандартная газовая горелка |
| 3 | Стандартная газовая горелка |
| 4 | Газовая горелка повышенной мощности |
| 5 | Поворотный переключатель экономичной газовой горелки |
| 6 | Поворотный переключатель стандартной газовой горелки |
| 7 | Поворотный переключатель стандартной газовой горелки |
| 8 | Поворотный переключатель газовой горелки повышенной мощности |

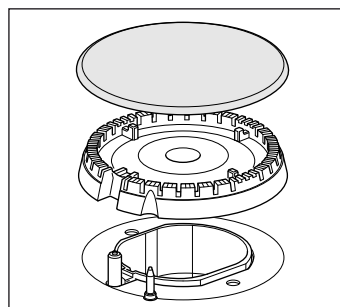
элементами управления, с варочной панелью и получите информацию о рабочей камере и принадлежностях.

Поворотный переключатель газовой горелки

Около каждой ручки управления указано, какую конфорку она включает



Чтобы варочная панель хорошо работала, следите за тем, чтобы решетки и все детали горелок были правильно установлены. Не меняйте местами крышки горелок.



| Варочная панель | Мощность |
|-------------------------------------|----------|
| Экономичная газовая горелка | 1 кВт |
| Стандартная газовая горелка | 1,75 кВт |
| Газовая горелка повышенной мощности | 3 кВт |

Поворотный переключатель конфорки

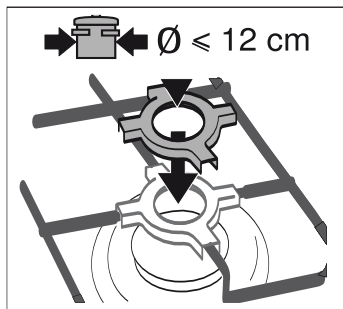
С помощью поворотных переключателей конфорок можно регулировать мощность нагрева конфорок.

| Положения | Функция/Газовые плиты |
|---------------------|---|
| ● Нулевое положение | Плита выключена. |
| ☼ Положение поджига | Положение поджига |
| 🔥 Зона настройки | Большое пламя = усиленная регулировка Малое пламя = незначительная регулировка |

В конце зоны настройки ощущается упор. Далее поворачивать переключатель не следует.

Подставка для экономичной газовой горелки (опция):

При приготовлении на экономичной газовой горелке блюд в кастрюлях диаметром менее 12 см или турецкого кофе в кофейнике для эспрессо используйте подставку из комплекта поставки прибора.



Положите подставку на стальную решетку газовой горелки.

Не используйте подставку для кастрюль с диаметром менее 12 см.

Используйте подставку только на экономичной газовой горелке.

Перед первым использованием

Из этой главы Вы узнаете, на что следует обратить внимание перед первым использованием. Прежде всего, прочитайте раздел Указания по технике безопасности.

Очистка принадлежностей

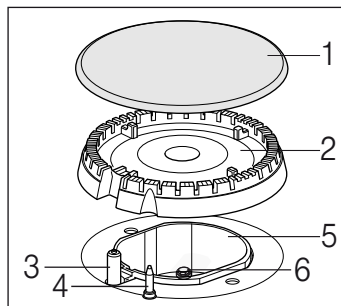
Перед первым использованием тщательно очистите принадлежности горячим мыльным раствором и мягкой тряпочкой.

Предварительная очистка корпусов и крышек газовых горелок

Очищайте крышку (1) и корпус (2) газовой горелки водой с добавлением моющего средства. Тщательно вытрите все детали насухо.

Снова установите корпус и крышку горелки на конфорку (5). Следите за тем, чтобы свеча поджига (3) и датчик пламени (4) не были повреждены.

Форсунка (6) должна быть сухой и чистой. Крышка горелки должна быть всегда ровно установлена на корпусе.

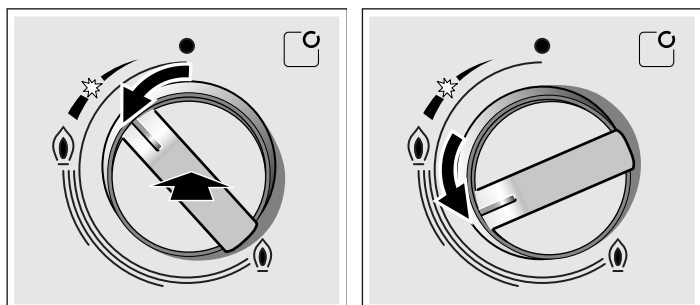


Настройка варочной панели

Ваша варочная панель оснащена четырьмя газовыми горелками. Прочитав эту инструкцию, вы узнаете, как правильно зажигать газовые горелки и настраивать мощность пламени.

Зажигание газовой горелки

Крышка горелки должна быть всегда ровно установлена на корпусе горелки. Отверстия на корпусе горелки всегда должны оставаться свободными. Все части горелки должны быть сухими.



1. Нажмите на поворотный переключатель требуемой конфорки и поверните его влево в положение поджига ☆. Начинается процесс поджига.

2. Удерживайте поворотный переключатель нажатым в течение 3-5 секунд. Газовая горелка зажигается.

Активируется система защиты от утечки газа. Благодаря этой системе, при внезапно погасшем пламени автоматически прекращается подача газа.

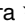
3. Установите нужную мощность пламени. Пламя нестабильно в положении между установкой ● ВЫКЛ и установкой 🔥. Поэтому всегда выбирайте положение между 🔥большим и 🔥малым пламенем.

4. Если пламя погаснет, повторите процесс, начиная с шага 1.

5. Выключение конфорки: Поверните поворотный переключатель ● вправо в положение "Выкл."

Устройство поджига не должно быть активизировано более 15 секунд. Если по истечении 15 секунд горелка не зажглась, подождите минимум одну минуту. Затем повторите процесс поджига.

Внимание!

Если вскоре после выключения плиты повернуть поворотный переключатель, пойдет газ. Если переключатель конфорки не будет установлен в положение поджига , подача газа прекратится через 90 секунд.

Конфорка не поджигается.

При отключении электроэнергии или попадании влаги на свечи поджига зажечь газовые горелки можно электрической зажигалкой или спичкой.

Примечания

Во время работы конфорок может слышаться легкий свист, это нормально.

В первое время работы нового прибора могут выделяться специфические запахи. Они не представляют опасности для здоровья и не являются признаком неисправности варочной панели. Со временем запахи исчезнут.

Пламя оранжевого цвета является нормальным. Такой цвет пламени может быть обусловлен имеющейся в воздухе пылью, пролившейся жидкостью и т. д.

Если пламя конфорки случайно погасло, поверните ручку этой конфорки в нулевое положение и подождите не менее 1 минуты перед повторным включением.

Через несколько секунд после выключения конфорки раздается сухой щелчок. Он не является признаком неисправности, а означает, что отключилась система газ-контроля.

Содержите варочную панель в чистоте. Если свечи загрязнились, поджиг будет работать плохо. Периодически очищайте их небольшой щеточкой с неметаллической щетиной. Имейте в виду, что со свечами нужно обращаться осторожно.

Кухонная посуда и рекомендации по приготовлению

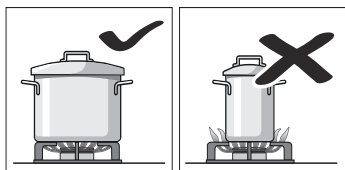
Подходящая посуда

| Горелка/ электрическая конфорка** | Мин. диаметр посуды | Макс. диаметр посуды |
|---|------------------------|----------------------|
| Электрическая конфорка* | 14,5 см | 14,5 см |
| Газовая горелка повышенной мощности | 24 см | 28 см |
| Стандартная газовая горелка | 18 см | 24 см |
| Экономичная газовая горелка | 12 см | 18 см |

* Опция (для моделей с электрической конфоркой)

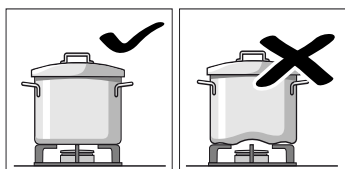
Советы по эксплуатации

Приведенные ниже советы помогут вам сэкономить электроэнергию и избежать повреждения посуды:



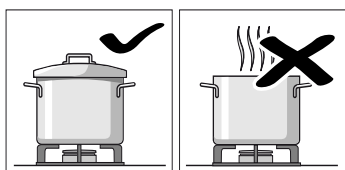
Используйте посуду, соответствующую размерам каждой конфорки.

Не пользуйтесь посудой маленького диаметра на больших конфорках. Пламя не должно касаться стенок посуды.

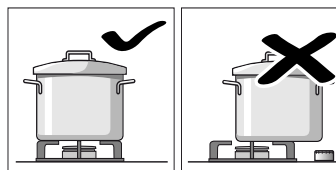


Не используйте посуду с поврежденным и неровным дном, которая неустойчиво стоит на плите. Такая посуда может перевернуться.

Пользуйтесь только посудой с ровным толстым дном.

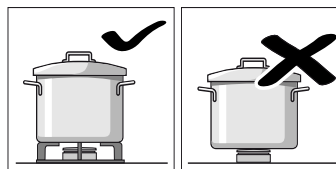


Не готовьте без крышки или с приоткрытой крышкой. Часть энергии при этом расходуется зря.



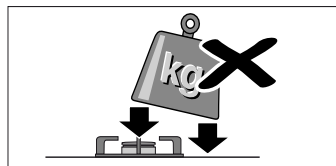
Ставьте посуду точно по центру конфорки. В противном случае она может перевернуться.

Не устанавливайте большие кастрюли и сковороды на конфорки, расположенные около ручек управления. Излишний перегрев может повредить ручки.



Устанавливайте посуду на решетки, никогда не ставьте ее прямо на горелку конфорки.

Перед использованием конфорок убедитесь, что решетки и крышки горелок правильно установлены.



Будьте осторожны в обращении с посудой на варочной панели.

Не ударяйте по варочной панели и не кладите на нее слишком тяжелые вещи.

Таблица - приготовление пищи

Для каждой конфорки выбирайте кастрюлю подходящего размера. Диаметр дна кастрюли и сковороды должен соответствовать размеру конфорки.

Время приготовления зависит от вида, веса и качества продуктов. Поэтому возможны некоторые отклонения от

указанных значений. Оптимальное время приготовления лучше всего можете определить только Вы.

Минеральные вещества и витамины очень быстро разрушаются при варке. Старайтесь использовать небольшое количество воды. Таким образом, вы сможете сохранить витамины и минеральные вещества. Для того чтобы овощи сохранили свою плотность и питательные вещества, сокращайте по возможности время их приготовления.

| Пример: | Блюдо | Конфорка | Степень нагрева конфорки |
|--|---|---|-------------------------------------|
| Растапливание | Шоколад, сливочное масло, маргарин | Экономичная газовая горелка | Малое пламя |
| Разогревание | Бульон, консервированные овощи | Стандартная газовая горелка Электрическая конфорка** | Малое пламя 1 |
| Разогревание и поддержание в горячем состоянии | Супы | Экономичная газовая горелка Электрическая конфорка** | Малое пламя 1 |
| Тушение* | Рыба | Стандартная газовая горелка Электрическая конфорка** | Между большим и малым пламенем 2 |
| Тушение* | Картофель и прочие овощи, мясо | Стандартная газовая горелка Электрическая конфорка** | Между большим и малым пламенем 2 |
| Варка* | Рис, овощи, мясные блюда (с соусами) | Стандартная газовая горелка Электрическая конфорка** | Большая высота пламени 2-3 |
| Жаренье | Блины, картофель, шницель, рыбные палочки | Газовая горелка повышенной мощности Электрическая конфорка** | Между большим и малым пламенем 3 |

* Если вы используете кастрюлю с крышкой, убавьте пламя, как только вода закипит.

** Опция: Для моделей с электрической конфоркой

Очистка и уход

Оптимальная мощность и долгий срок службы варочной панели возможны только при регулярной тщательной очистке и правильном техническом обслуживании.

В целях безопасности отключите подачу газа с помощью регулятора газового баллона. (Если плита настроена на использование природного газа, закройте кран подачи газа.)

Выньте вилку сетевого шнура из розетки.

Если конфорка еще горячая, дайте ей сначала остыть.

Внимание!

- Не используйте очистители высокого давления и пароструйные очистители.
- Не используйте для очистки плиты легковоспламеняющиеся вещества, такие как кислоты, растворители, бензин и бензол.
- Ни в коем случае не используйте царапающие чистящие средства и материалы.

Очистка

Чтобы не допустить повреждения различных поверхностей в результате использования неподходящих чистящих средств, соблюдайте следующие указания.

При чистке варочной панели не используйте

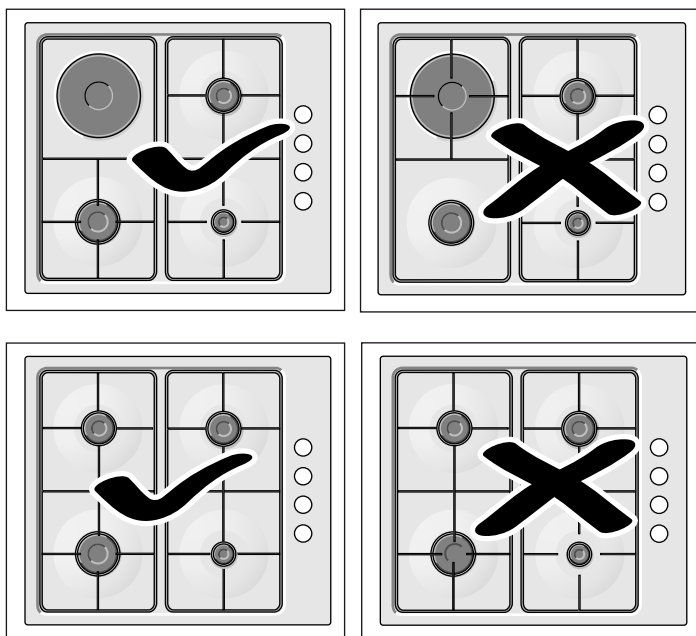
- неразбавленные средства для мытья посуды или для посудомоечных машин,
- чистящие средства, содержащие большой процент спирта,
- металлические губки,
- едкие чистящие средства, например, для очистки духовок или пятновыводители,
- Не используйте едкие или абразивные чистящие средства.
- Не мойте детали в посудомоечной машине.

Новые губки перед первым использованием необходимо тщательно вымыть.

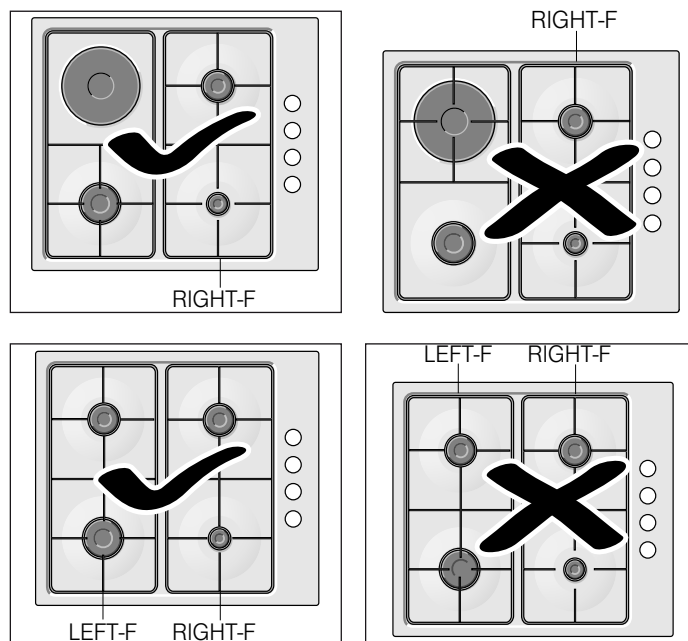
| | |
|--|---|
| Стальные поверхности | Очищайте мягкой тряпкой со средством для нержавеющей стали. Всегда протирайте прибор параллельно естественной текстуре поверхности. В противном случае могут появиться царапины. Вытрите насухо мягкой тряпочкой. Немедленно удаляйте накипь, пятна жира, крахмала и яичного белка. Для очистки не подходят агрессивные чистящие средства, царапающие губки или салфетки из грубого материала. Стальные поверхности прибора очищайте с помощью специального средства. Соблюдайте указания производителя. Специальные чистящие средства для стальных поверхностей можно купить в сервисной службе или в специализированных магазинах. |
| Эмалированные и лакированные поверхности | Очистите влажной салфеткой с небольшим количеством моющего средства. Вытрите насухо мягкой тряпочкой. |
| Газовые горелки и стальная решетка под конфорками | Запрещается мыть в посудомоечной машине. Снимите стальную решётку и очистите её с помощью губки, небольшого количества тёплой воды и моющего средства. Снимите корпуса и крышки горелок. Для их очистки используйте губку, небольшое количество тёплой воды и моющее средство. Следите за тем, чтобы отверстия для выхода газа в корпусах горелок были чистыми и не засорены. Очищайте свечу поджига небольшой щеточкой. Газовые горелки функционируют только в том случае, если свечи поджига чистые. Удалите остатки пищи, попавшие внутрь горелок, с помощью тряпочки и небольшого количества тёплого мыльного раствора. Старайтесь использовать небольшое количество воды, чтобы она не попала внутрь. Обратите внимание на то, чтобы отверстия форсунок во время очистки не были засорены или повреждены. После очистки просушите все детали и установите крышку точно на корпус горелки. Неправильно установленные детали затрудняют поджиг горелки. Установите стальную решётку на место. Специальные чистящие средства для очистки стальных решеток можно приобрести в Сервисной службе или в специализированных магазинах. |
| Электрическая конфорка (опция) | Очищайте жёсткой стороной чистящей губки с небольшим количеством жидкого чистящего средства. После очистки ненадолго включите конфорку для просушки. Влажные конфорки со временем ржавеют. В завершение нанесите специальное средство для ухода. Всегда немедленно удаляйте убежавшие жидкости и остатки пищи. |
| Металлический нагревательный элемент электрической конфорки (опция) | Металлический нагревательный элемент конфорки со временем может изменить цвет. Однако первоначальный цвет можно восстановить. Очищайте нагревательное кольцо жёсткой стороной чистящей губки с небольшим количеством жидкого чистящего средства. Следите за тем, чтобы при этом губка не трла прилегающие поверхности. иначе на их могут появиться царапины. Специальные чистящие средства для очистки металлического кольца электрической конфорки можно приобрести в Сервисной службе или в специализированных магазинах. |
| Вращающиеся ручки | Очистите влажной салфеткой с небольшим количеством моющего средства. Вытрите насухо мягкой тряпочкой. |
| Принадлежности | Замочите в тёплом мыльном растворе. Очистите неметаллической щёткой или губкой. |

Будьте осторожны при промывании решеток, на которых установлены резиновые прокладки. Прокладки могут слететь, и тогда решетка поцарапает варочную панель.

Следите за тем, чтобы после очистки и просушки стальная решетка была правильно установлена.



** Опция: Действительна только для некоторых моделей.



Уход

Если на варочную панель пролилась какая-то жидкость, сразу вытрите ее. Таким образом можно избежать прилипания остатков пищи и впоследствии сэкономить усилия по очистке панели.

Каждый раз после использования протрите поверхность деталей горелки после того, как она остынет. Даже небольшие загрязнения (пригоревшие продукты, капли жира и т. п.) при повторном нагревании запекутся на поверхности, и потом их будет трудно удалить. Чтобы пламя горело ровно, необходимо содержать в чистоте все отверстия и прорези горелки.

От передвижения некоторых видов посуды на решетках могут оставаться металлические следы.

Горелки и решетки следует мыть водой с мылом с помощью неметаллической щетки.

Не мойте детали в посудомоечной машине.

Всегда досуха протирайте детали горелок и решетки. Наличие на них капель воды или влажных участков в начале процесса нагревания может повредить эмаль.

Внимание!

Моющее средство для очистки нержавеющей стали нельзя использовать для мытья участка варочной панели вокруг ручек управления. Это может привести к стиранию символов, нанесенных с помощью трафаретной печати.

Немедленно удаляйте пролитое масло и жидкости, содержащие кислоту, например лимонный сок.

Ни в коем случае не используйте для очистки панели управления абразивные чистящие порошки. Это может стать причиной появления царапин на надписях.

Крышки горелок покрыты чёрной эмалью. Из-за высоких температур эмаль может изменить цвет. Это не оказывает отрицательного влияния на функционирование горелки.

Устранение неполадок

Иногда возникающие неполадки легко устранить самостоятельно. Перед тем, как обратиться в сервисный центр, ознакомьтесь с данными рекомендациями:

| Неполадка | Возможная причина | Решение |
|--|--|--|
| Общий сбой электросистемы. | Неисправный предохранитель. | Проверьте предохранитель на щитке предохранителей и замените его в случае неисправности. |
| | Сработал автоматический предохранитель или дифференциальный выключатель. | Проверьте, не сработал ли автоматический предохранитель или дифференциальный выключатель на электрощите. |
| Не работает автоматический поджиг. | Возможно, между свечами и горелками накопились остатки продуктов или моющих средств. | Пространство между свечой и горелкой должно содержаться в чистоте. |
| | Горелки мокрые. | Насухо вытрите крышки горелок. |
| | Плохо установлены крышки горелок. | Убедитесь, что крышки правильно установлены. |
| Пламя неравномерное. | Прибор незаземлен, неправильно заземлен или заземляющий провод неисправен. | Свяжитесь с квалифицированным электриком. |
| | Плохо установлены детали горелок. | Правильно установите крышки на соответствующие горелки. |
| Газ не выходит или выходит неравномерно. | Отверстия горелки загрязнены. | Очистите отверстия горелки. |
| | Подача газа перекрыта промежуточными вентилями. | Откройте промежуточные вентили, если они имеются. |
| В кухне пахнет газом. | Если газ подается из баллона, проверьте, не пуст ли он. | Смените газовый баллон. |
| | Открыт кран какой-то конфорки. | Закройте краны конфорок. |
| | Плохо подсоединен газовый баллон. | Проверьте, герметично ли подсоединен баллон. |
| Сразу после отпускания ручки пламя на конфорке гаснет. | Возможно, происходит утечка газа. | Перекройте главный газовый вентиль, проветрите помещение и срочно свяжитесь с квалифицированным специалистом, имеющим право на проведение проверки и сертификацию систем газоснабжения. Не используйте прибор, пока не будет проведена проверка наличия утечки газа из системы газоснабжения или самого прибора. |
| | Ручка не была удержана в нажатом состоянии в течение нужного времени. | После зажигания пламени удержите ручку в нажатом состоянии в течение еще нескольких секунд. |
| | Отверстия горелки загрязнены. | Очистите отверстия горелки. |

Сервисная служба

Если ваш прибор нуждается в ремонте, наша сервисная служба всегда к вашим услугам. Мы всегда стараемся найти подходящее решение, чтобы избежать в том числе ненужных вызовов специалистов.

Номер E и номер FD

При обращении в Сервисную службу в целях ускорения процесса назовите номер изделия (номер E) и заводской номер (номер FD). Фирменная табличка с номерами расположена на нижней стороне плиты. Чтобы долго не искать ее в случае неисправности, можно записать данные прибора и номера телефонов Сервисной службы прямо здесь.

| Номер E | Номер FD |
|--------------------|----------|
| Сервисная служба ☎ | |

Помните, что даже во время гарантийного срока расходы на сервисное обслуживание и ремонт неисправностей, вызванных неправильным использованием, несет владелец.

Заявка на ремонт и консультация при неполадках

Контактные данные всех стран Вы найдёте в приложенном списке сервисных центров.

Положитесь на компетентность изготовителя. Тогда вы можете быть уверены, что ремонт будет произведён грамотными специалистами и с использованием фирменных запасных частей.

Условия гарантийного обслуживания


Если, вопреки нашим ожиданиям, данный электроприбор поврежден или не отвечает предъявляемым к нему требованиям качества, просим сообщить нам об этом как можно скорее.

Гарантия на данный прибор действительна только в случае, если в приборе не производилось никаких изменений и он не использовался ненадлежащим образом.

Условия гарантийного обслуживания данного прибора определяются представительством нашей компании в стране, где была произведена покупка. Более подробную информацию вы можете получить в магазинах. Чтобы воспользоваться гарантией, необходимо предъявить торговый чек.

Производитель оставляет за собой право на внесение изменений.

Упаковка и используемое оборудование

Если на упаковке прибора имеется перечеркнутое изображение мусорного бака , необходимо соблюдать следующие указания.

Правильная утилизация упаковки

Утилизируйте упаковку с соблюдением правил экологической безопасности.



Данный прибор имеет отметку о соответствии европейским нормам 2012/19/EU утилизации электрических и электронных приборов (waste electrical and electronic equipment - WEEE).

Данные нормы определяют действующие на территории Евросоюза правила возврата и утилизации старых приборов.

Упаковка данного прибора произведена из минимального количества материалов, необходимого для обеспечения надежной защиты во время транспортировки. Все эти материалы могут быть повторно переработаны, что сокращает их негативное влияние на окружающую среду. Вы можете внести свой вклад в охрану природы, если последуете следующим советам:

- выбросите упаковку в соответствующий контейнер для материалов, подлежащих утилизации;
- прежде, чем выбросить ненужный прибор, сделайте его явно непригодным для использования; узнайте в местной администрации, где находится приемный пункт по сбору вторичного сырья, и отвезите туда свой прибор;
- не выливайте использованное растительное масло в раковину; вылейте его в закрывающуюся емкость и отнесите в приемный пункт, а если рядом с вашим домом такого пункта нет, положите емкость с маслом в мусорный контейнер (оттуда оно попадет на контролируруемую свалку; возможно, это не лучший вариант, но таким образом можно избежать загрязнения воды).

Во время транспортировки соблюдайте необходимые меры предосторожности.

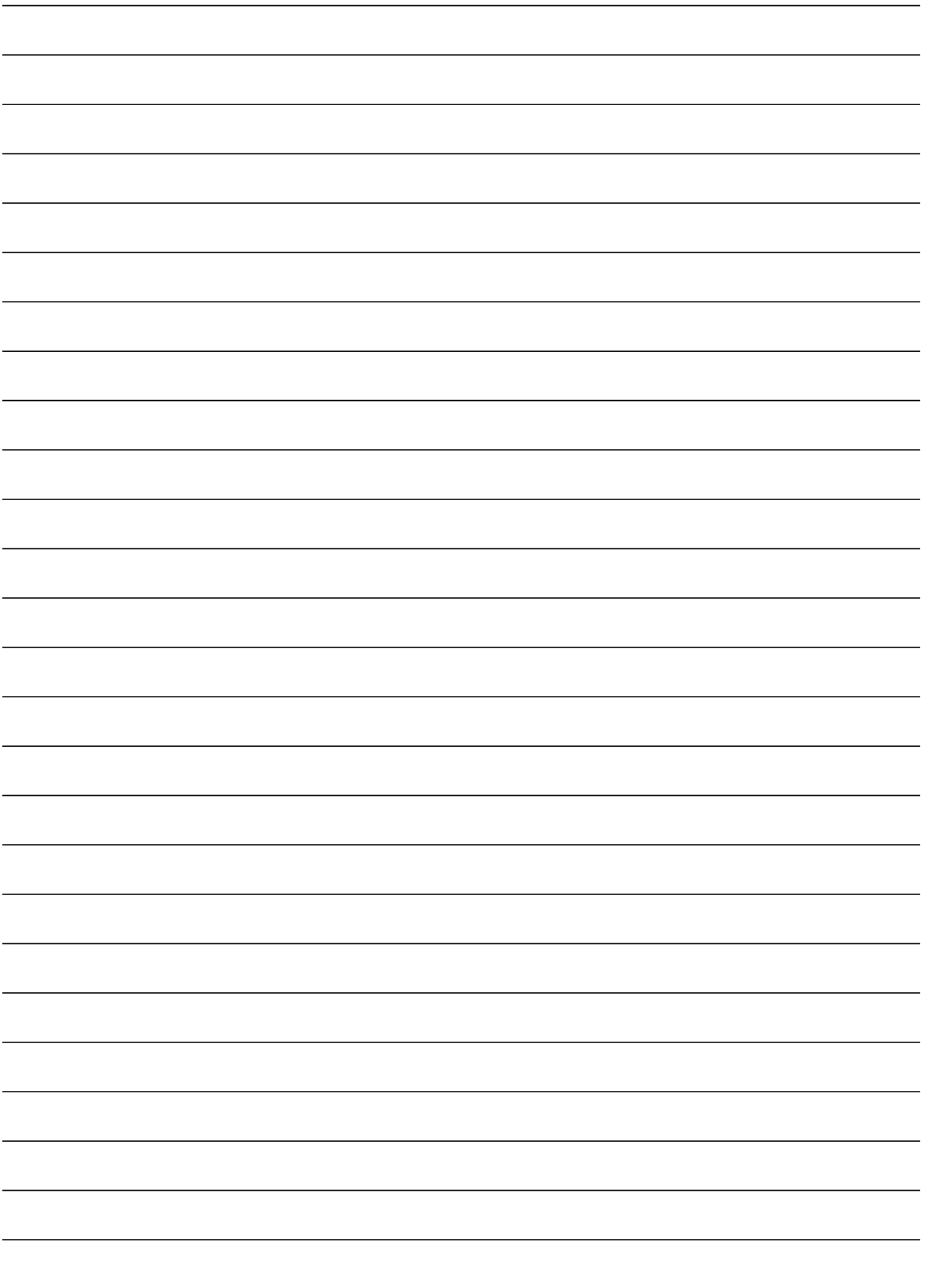
Закрепляйте все подвижные внутренние и внешние части прибора клейкой лентой, которую потом можно полностью удалить. Закрепите верхнюю защитную панель (при наличии) клейкой лентой на боковых стенках прибора.

Сохраняйте оригинальную упаковку прибора. Перевозите прибор только в оригинальной упаковке. Соблюдайте указания по транспортировке, имеющиеся на упаковке.

При утере оригинальной упаковки

Упакуйте прибор в специальную упаковку для транспортировки, чтобы обеспечить необходимую защиту от возможных повреждений

При транспортировке прибор должен находиться в горизонтальном положении, а конфорка и горелки должны быть обращены вверх. Не кладите тяжёлые предметы на прибор.





Robert Bosch Hausgeräte GmbH

Carl-Wery-Straße 34

81739 München

Germany

www.bosch-home.com



9000932977

01
020993